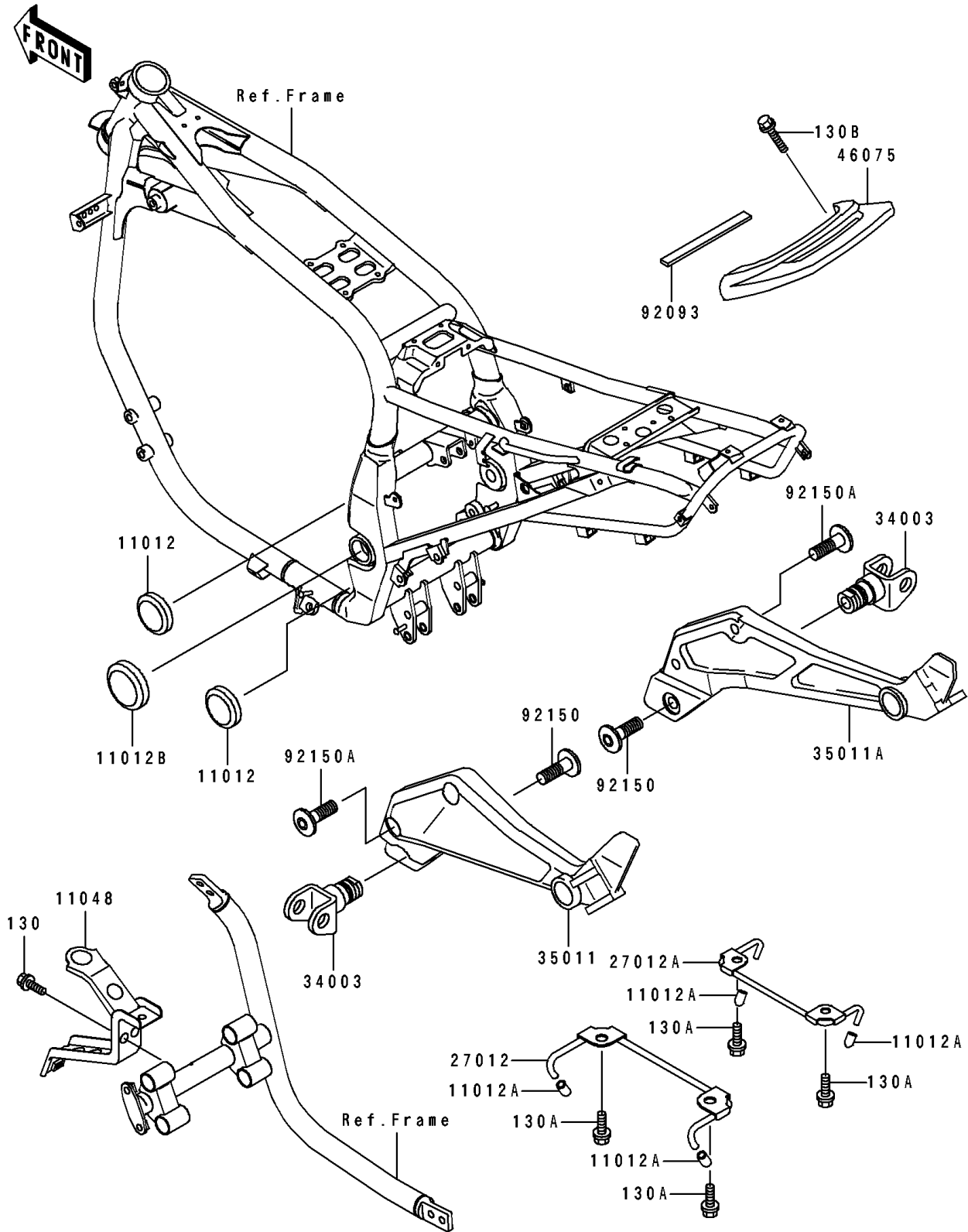


1996 GPZ 1100 ABS PARTS DIAGRAM

Battery Case

F 2132



1996 GPZ 1100 ABS PARTS LIST

Battery Case

ITEM NAME	PART NUMBER	QUANTITY
CAP (Ref # 11012)	11012-1460	2
CAP,BUNGEE CORD HOOK (Ref # 11012A)	11012-1589	4
CAP (Ref # 11012B)	11012-1657	2
BRACKET,OIL COOLER (Ref # 11048)	11048-1981	1
HOOK,BUNGEE CORD,LH (Ref # 27012)	27012-1492	1
HOOK,BUNGEE CORD,RH (Ref # 27012A)	27012-1504	1
HOLDER-STEP (Ref # 34003)	34003-1412	2
STAY,STEP,LH (Ref # 35011)	35011-1721	1
STAY,STEP,RH (Ref # 35011A)	35011-1722	1
GRIP,TAIL,P.G.BLACK (Ref # 46075)	46075-1123-RL	1
SEAL,L=270 (Ref # 92093)	92093-1393	1
BOLT,SOCKET,10X25 (Ref # 92150)	92150-1268	2
BOLT,SOCKET,10X25 (Ref # 92150A)	92150-1747	4
BOLT-FLANGED (Ref # 130)	130J0610	2
BOLT-FLANGED (Ref # 130A)	130J0812	4
BOLT-FLANGED,8X20 (Ref # 130B)	130J0820	2