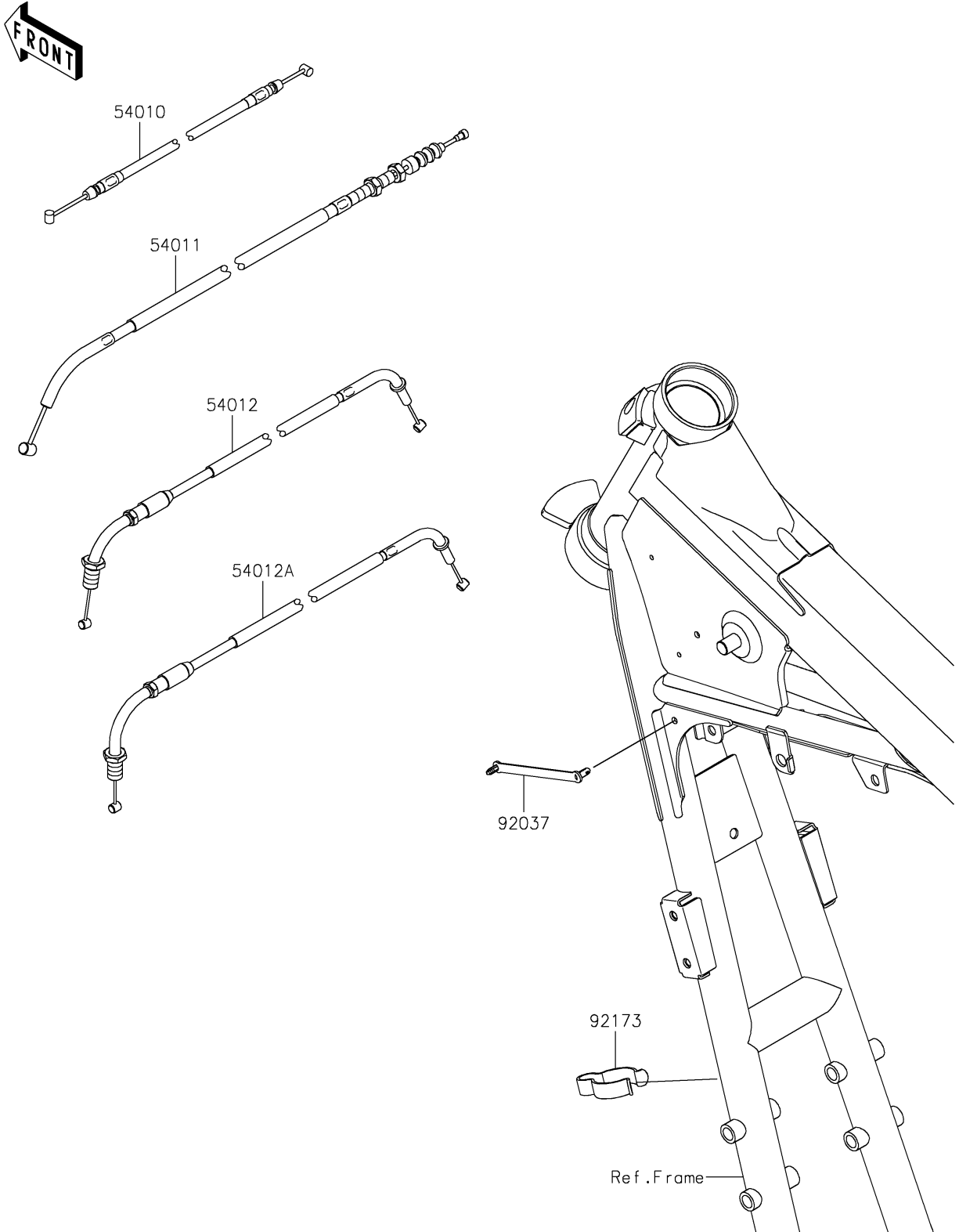


# 2023 W800 PARTS DIAGRAM

Cables

F2540



## 2023 W800 PARTS LIST

### Cables

ITEM NAME	PART NUMBER	QUANTITY
CABLE,SEAT LOCK (Ref # 54010)	54010-1114	1
CABLE-CLUTCH (Ref # 54011)	54011-0645	1
CABLE-THROTTLE,OPENING (Ref # 54012)	54012-0306	1
CABLE-THROTTLE,CLOSING (Ref # 54012A)	54012-0705	1
CLAMP,SPEED,L=80.5 (Ref # 92037)	92037-1903	1
CLAMP (Ref # 92173)	92173-0018	1