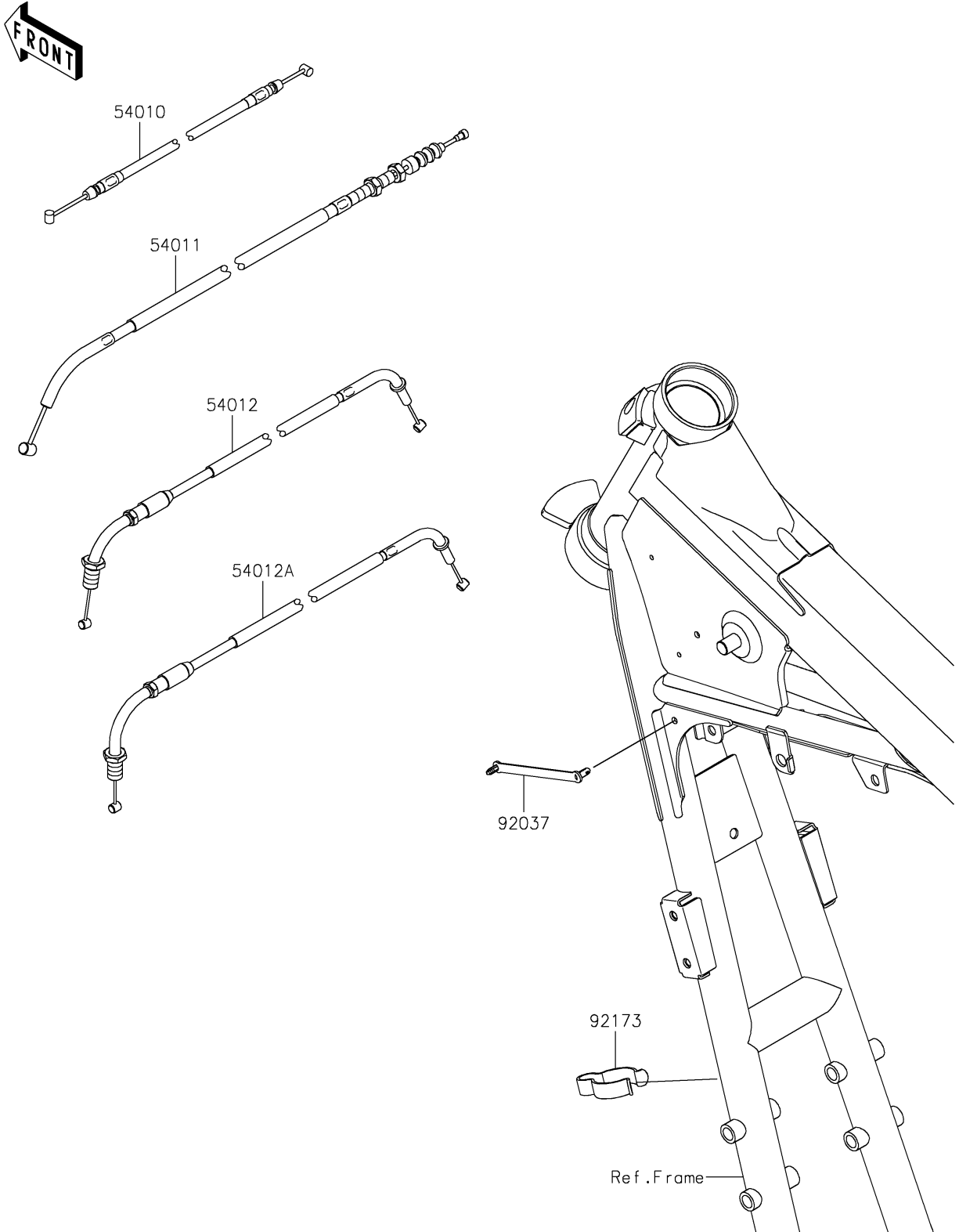


# 2022 W800 PARTS DIAGRAM

Cables

F2540



# 2022 W800 PARTS LIST

Cables

ITEM NAME	PART NUMBER	QUANTITY
-----------	-------------	----------