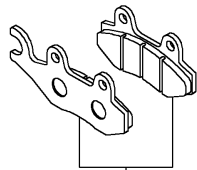
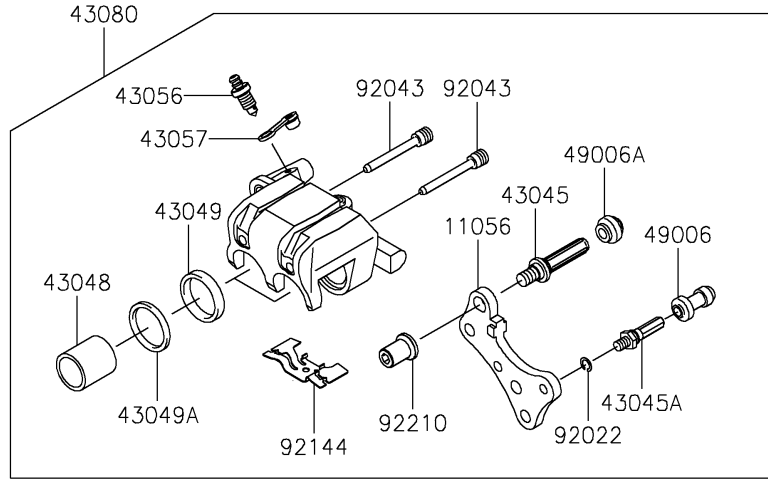


2025 W800 PARTS DIAGRAM

Rear Brake



43082

92173

92173C

92173A

92173C

92173A

41080

92153

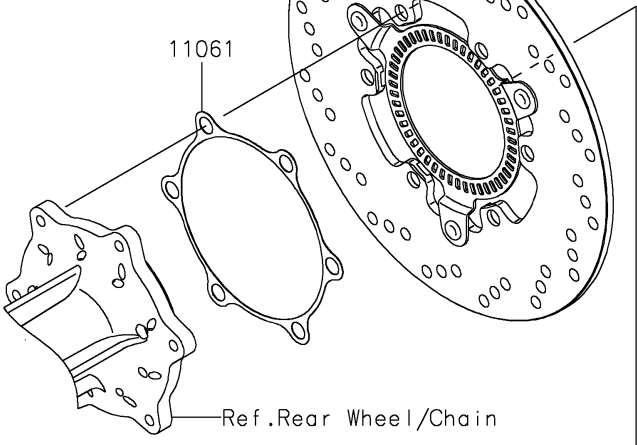
21176

120

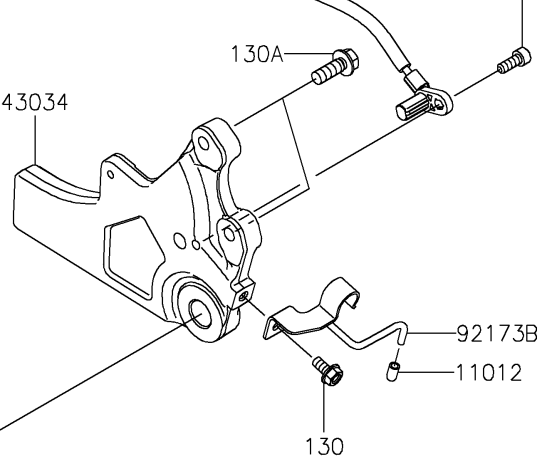
11061

43034

130A



Ref. Rear Wheel/Chain



2025 W800 PARTS LIST

Rear Brake

| ITEM NAME | PART NUMBER | QUANTITY |
|---|----------------|----------|
| CAP (Ref # 11012) | 11012-1438 | 1 |
| BRACKET,CALIPER (Ref # 11056) | 11056-0202 | 1 |
| GASKET (Ref # 11061) | 11061-1318 | 1 |
| SENSOR,ABS,RR (Ref # 21176) | 21176-0922 | 1 |
| DISC,RR (Ref # 41080) | 41080-0698 | 1 |
| HOLDER-BRAKE (Ref # 43034) | 43034-0165 | 1 |
| SHAFT-CALIPER (Ref # 43045) | 43045-0004 | 1 |
| SHAFT-CALIPER (Ref # 43045A) | 43045-1010 | 1 |
| PISTON-CALIPER (Ref # 43048) | 43048-1066 | 2 |
| PACKING (Ref # 43049) | 43049-1063 | 2 |
| PACKING (Ref # 43049A) | 43049-1064 | 2 |
| BREATHER (Ref # 43056) | 43056-1055 | 1 |
| CAP-BREATHER (Ref # 43057) | 43057-1001 | 1 |
| CALIPER-SUB-ASSY,RR,BLACK (Ref # 43080) | 43080-0096-25S | 1 |
| PAD-ASSY-BRAKE (Ref # 43082) | 43082-0128 | 1 |
| BOOT,CALIPER (Ref # 49006) | 49006-1088 | 1 |
| BOOT,CALIPER (Ref # 49006A) | 49006-1242 | 1 |
| WASHER,WAVE (Ref # 92022) | 92022-1373 | 1 |
| PIN,HANGER (Ref # 92043) | 92043-1416 | 2 |
| SPRING,PAD (Ref # 92144) | 92144-1847 | 1 |
| BOLT,SOCKET,8X15 (Ref # 92153) | 92153-1548 | 6 |
| CLAMP,CLIP (Ref # 92173) | 92173-0127 | 1 |
| CLAMP,HOSE&SENSOR LINE (Ref # 92173A) | 92173-1613 | 2 |
| CLAMP,BRAKE HOSE (Ref # 92173B) | 92173-2135 | 1 |
| CLAMP (Ref # 92173C) | 92173-2163 | 2 |
| NUT (Ref # 92210) | 92210-0615 | 1 |
| BOLT-SOCKET,6X16 (Ref # 120) | 120CB0616 | 1 |
| BOLT-FLANGED,6X12 (Ref # 130) | 130BB0612 | 1 |
| BOLT-FLANGED,8X22 (Ref # 130A) | 130BC0822 | 2 |