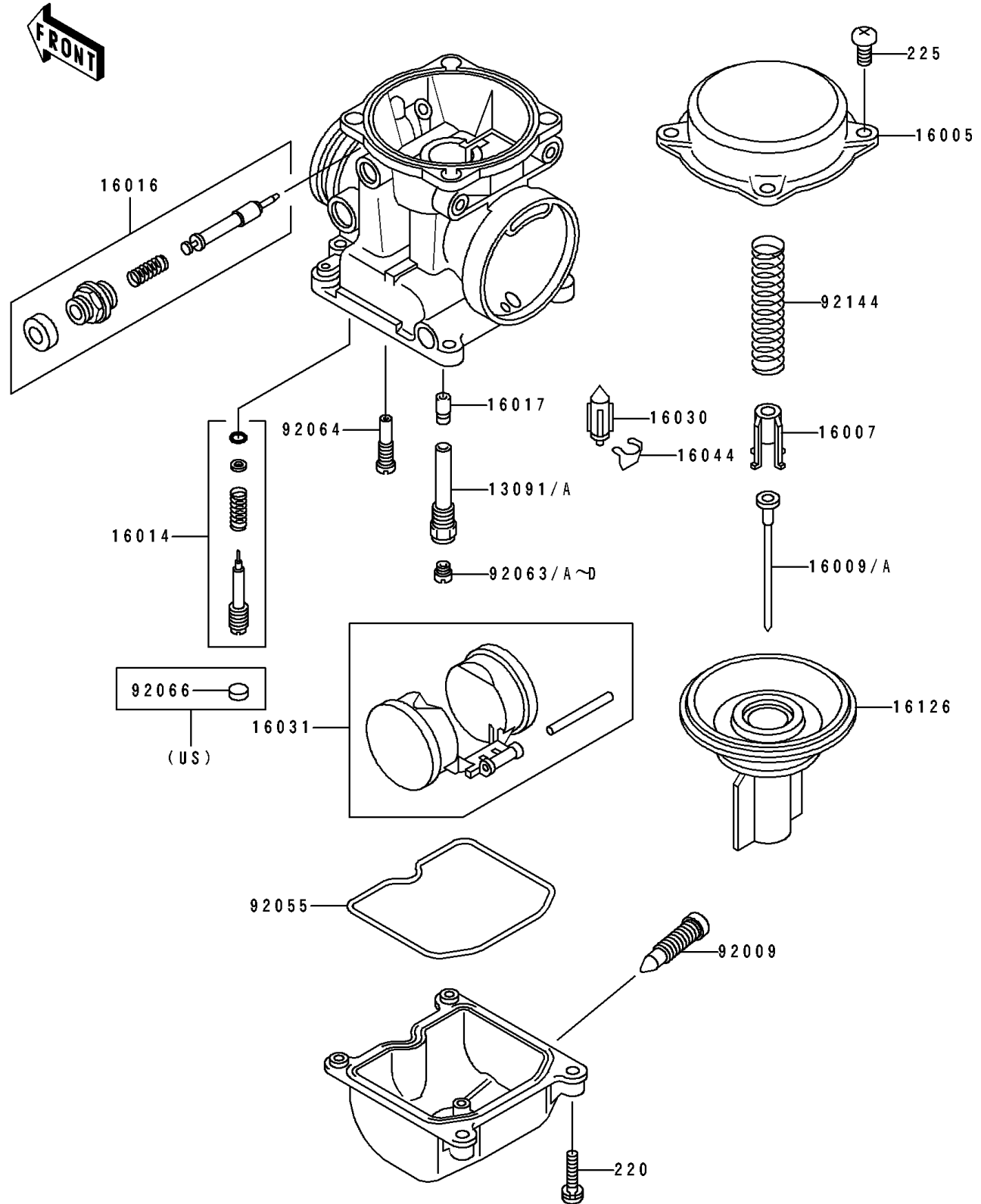


# 1996 GPZ 1100 ABS PARTS DIAGRAM

## Carburetor Parts

E1612



# 1996 GPZ 1100 ABS PARTS LIST

## Carburetor Parts

ITEM NAME	PART NUMBER	QUANTITY
HOLDER,NEEDLE JET (Ref # 13091)	13091-1425	2
HOLDER,NEEDLE JET,#1,#4 (Ref # 13091A)	13091-1925	2
TOP-CHAMBER,MIXING (Ref # 16005)	16005-1054	4
SEAT-SPRING,VALVE (Ref # 16007)	16007-1117	4
NEEDLE-JET,N2LB (Ref # 16009)	16009-1856	2
NEEDLE-JET,N2LC (Ref # 16009A)	16009-1857	2
SCREW-PILOT AIR (Ref # 16014)	16014-1080	4
PLUNGER,STARTER (Ref # 16016)	16016-1090	4
JET-NEEDLE (Ref # 16017)	16017-1265	4
VALVE-FLOAT (Ref # 16030)	16030-1057	4
FLOAT (Ref # 16031)	16031-1077	4
CLAMP,FLOAT VALVE (Ref # 16044)	16044-007	4
VALVE,VACUUM (Ref # 16126)	16126-1170	4
SCREW,DRAIN,M6X0.75 (Ref # 92009)	92009-1551	4
RING-O,FLOAT CHAMBER (Ref # 92055)	92055-1222	4
JET-MAIN,#105 (Ref # 92063)	92063-1009	4
JET-MAIN,#110 (Ref # 92063A)	92063-1114	4
JET-MAIN,#108 (Ref # 92063B)	92063-1116	4
JET-MAIN,#112 (Ref # 92063C)	92063-1117	4
JET-MAIN,#115 (Ref # 92063D)	92063-1118	4
JET-PILOT,#35 (Ref # 92064)	92064-1101	4
PLUG,PILOT AIR SCREW,6.9X2 (Ref # 92066)	92066-1051	4
SPRING,VACUUM VALVE (Ref # 92144)	92144-1219	4
SCREW-PAN-CROS (Ref # 220)	220D0414	16
SCREW-PAN-WSP-CROS (Ref # 225)	225C0418	15