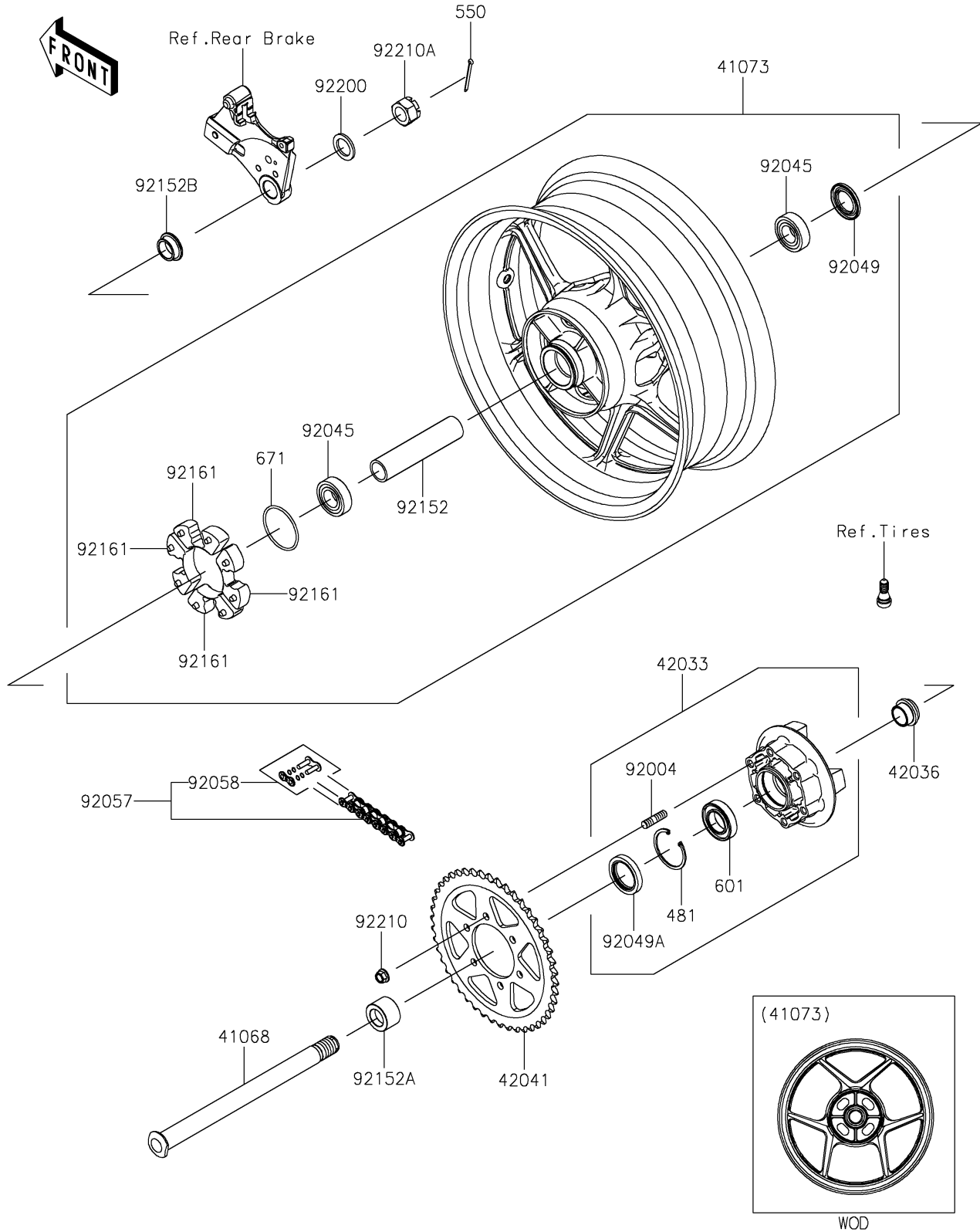


# 2024 Z H2 SE ABS PARTS DIAGRAM

Rear Wheel/Chain

F2240



## 2024 Z H2 SE ABS PARTS LIST

### Rear Wheel/Chain

ITEM NAME	PART NUMBER	QUANTITY
AXLE,RR (Ref # 41068)	41068-0655	1
WHEEL-ASSY,RR,G.BLACK (Ref # 41073)	41073-0793-18F	1
COUPLING-ASSY (Ref # 42033)	42033-0593	1
SLEEVE,RR HUB,L=22 (Ref # 42036)	42036-1279	1
SPROCKET-HUB,46T (Ref # 42041)	42041-0179	1
STUD,10X19 (Ref # 92004)	92004-0028	6
BEARING-BALL,25X52X15 (Ref # 92045)	92045-0804	2
SEAL-OIL,31X52X5 (Ref # 92049)	92049-0722	1
SEAL-OIL,PJN 40 55 8 (Ref # 92049A)	92049-1376	1
CHAIN,DRIVE,EK525HZX,118L (Ref # 92057)	92057-0790	1
JOINT-CHAIN (Ref # 92058)	92058-0067	1
COLLAR,25.2X32X144.5 (Ref # 92152)	92152-2639	1
COLLAR,RR AXLE,LH (Ref # 92152A)	92152-2640	1
COLLAR,RR AXLE,RH (Ref # 92152B)	92152-2641	1
DAMPER,SHOCK,RR HUB (Ref # 92161)	92161-0342	4
WASHER,25.5X38X3.2 (Ref # 92200)	92200-0278	1
NUT,LOCK,FLANGED,10MM (Ref # 92210)	92210-0276	6
NUT,CASTLE,24MM (Ref # 92210A)	92210-0280	1
CIRCLIP (Ref # 481)	481J5500	1
PIN-COTTER,4.0X45 (Ref # 550)	550AA4045	1
BEARING-BALL,#6006G (Ref # 601)	601B6006G	1
O RING,60MM (Ref # 671)	671B2560	1