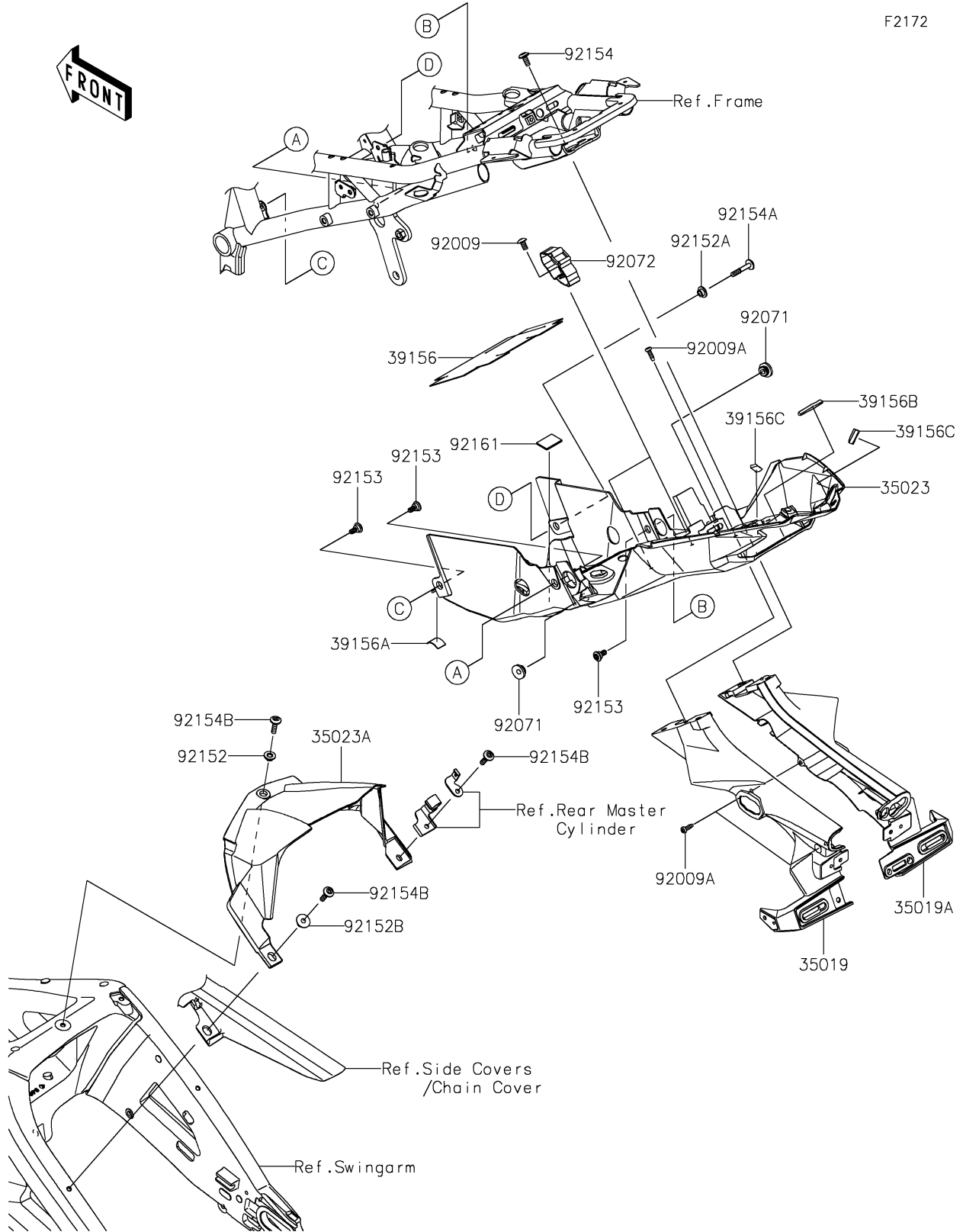


2025 Z H2 SE PARTS DIAGRAM

Rear Fender(s)

F2172



2025 Z H2 SE PARTS LIST

Rear Fender(s)

| ITEM NAME | PART NUMBER | QUANTITY |
|-----------------------------------|-------------|----------|
| FLAP,RR,LH (Ref # 35019) | 35019-0677 | 1 |
| FLAP,RR,RH (Ref # 35019A) | 35019-0678 | 1 |
| FENDER-REAR (Ref # 35023) | 35023-0468 | 1 |
| FENDER-REAR,HUGGER (Ref # 35023A) | 35023-0469 | 1 |
| PAD,195X115X1 (Ref # 39156) | 39156-1884 | 1 |
| PAD,15X25X1 (Ref # 39156A) | 39156-2119 | 1 |
| PAD,4X44X5 (Ref # 39156B) | 39156-2179 | 1 |
| PAD,10X15X4 (Ref # 39156C) | 39156-2180 | 2 |
| SCREW,6X12 (Ref # 92009) | 92009-1480 | 2 |
| SCREW,TAPPING,5X16 (Ref # 92009A) | 92009-1984 | 3 |
| GROMMET,20X24X7.5 (Ref # 92071) | 92071-0766 | 2 |
| BAND,TOOL CASE (Ref # 92072) | 92072-1219 | 2 |
| COLLAR,6.5X10X6.2 (Ref # 92152) | 92152-2152 | 1 |
| COLLAR,6.5X10X5.9 (Ref # 92152A) | 92152-2486 | 1 |
| COLLAR (Ref # 92152B) | 92152-2620 | 1 |
| BOLT,SOCKET,6MM (Ref # 92153) | 92153-1956 | 3 |
| BOLT,SOCKET,6X14 (Ref # 92154) | 92154-0745 | 4 |
| BOLT,SOCKET,6X34 (Ref # 92154A) | 92154-1627 | 1 |
| BOLT,SOCKET,6X22 (Ref # 92154B) | 92154-1810 | 3 |
| DAMPER,30X20X2 (Ref # 92161) | 92161-0833 | 1 |