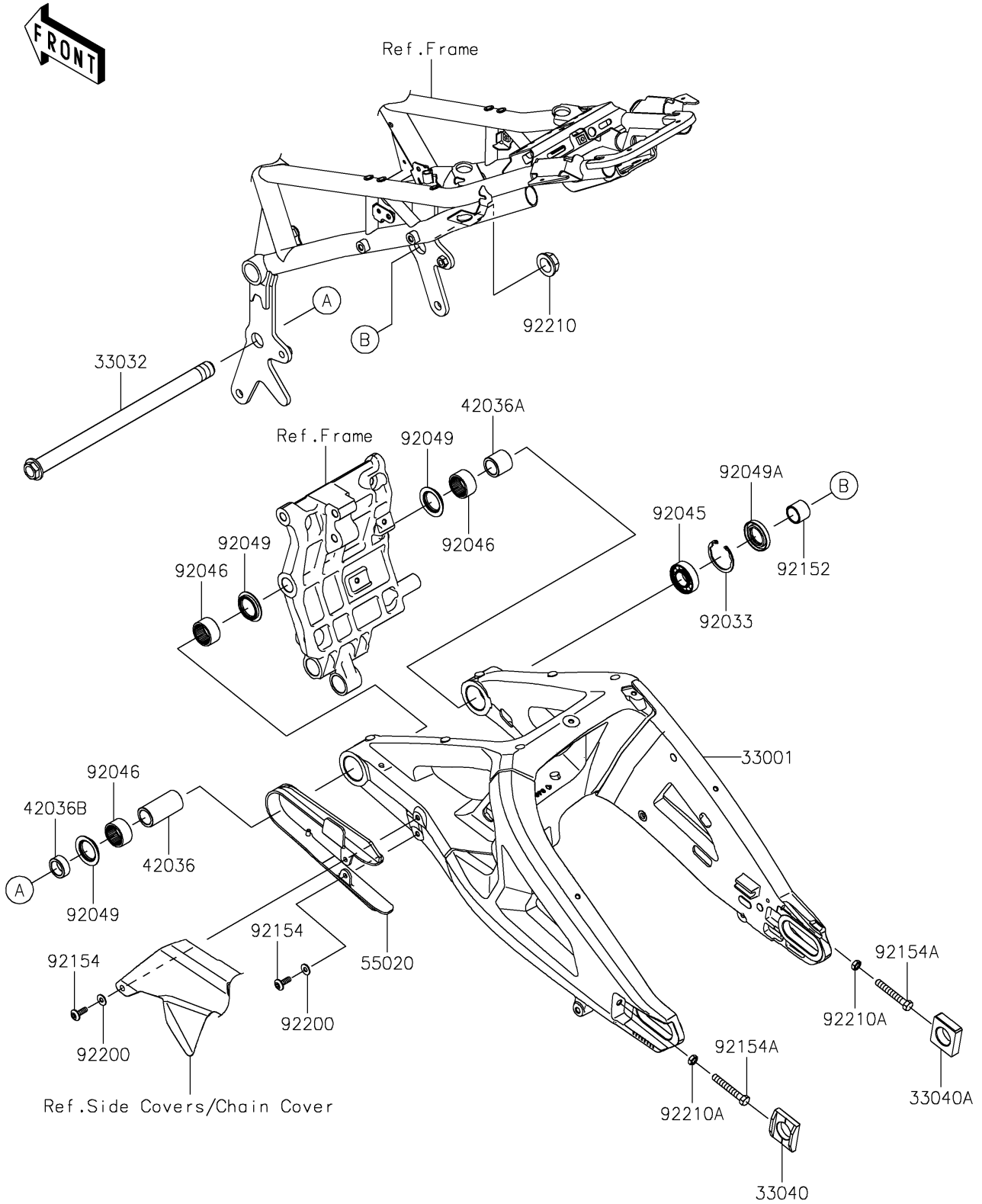


# 2025 Z H2 SE PARTS DIAGRAM

Swingarm

F2141



## 2025 Z H2 SE PARTS LIST

### Swingarm

| ITEM NAME                                    | PART NUMBER | QUANTITY |
|--|-------------|----------|
| ARM-COMP-SWING (Ref # 33001)                 | 33001-0722  | 1        |
| SHAFT-SWING ARM (Ref # 33032)                | 33032-0063  | 1        |
| ADJUSTER-CHAIN,LH (Ref # 33040)              | 33040-0107  | 1        |
| ADJUSTER-CHAIN,RH (Ref # 33040A)             | 33040-1114  | 1        |
| SLEEVE,20.1X28X56.5 (Ref # 42036)            | 42036-0757  | 1        |
| SLEEVE,20.1X28X25.7 (Ref # 42036A)           | 42036-0762  | 1        |
| SLEEVE,20.1X28X10.7 (Ref # 42036B)           | 42036-0846  | 1        |
| GUARD,CHAIN (Ref # 55020)                    | 55020-0561  | 1        |
| RING-SNAP,42MM (Ref # 92033)                 | 92033-1041  | 1        |
| BEARING-BALL,6004UL11 (Ref # 92045)          | 92045-0017  | 1        |
| BEARING-NEEDLE,7E-HVS 28X34X17 (Ref # 92046) | 92046-0008  | 3        |
| SEAL-OIL,28X34X5.7 (Ref # 92049)             | 92049-1181  | 3        |
| SEAL-OIL,MHSA25X42X6 (Ref # 92049A)          | 92049-1314  | 1        |
| COLLAR,20.2X25X19.5 (Ref # 92152)            | 92152-2637  | 1        |
| BOLT,SOCKET,6X18 (Ref # 92154)               | 92154-1694  | 2        |
| BOLT-SMALL,8X55 (Ref # 92154A)               | 92154-1962  | 2        |
| WASHER,6.2X15X1.2 (Ref # 92200)              | 92200-1762  | 2        |
| NUT,FLANGED,20MM (Ref # 92210)               | 92210-0320  | 1        |
| NUT-HEX-SMALL,8MM (Ref # 92210A)             | 92210-1459  | 2        |