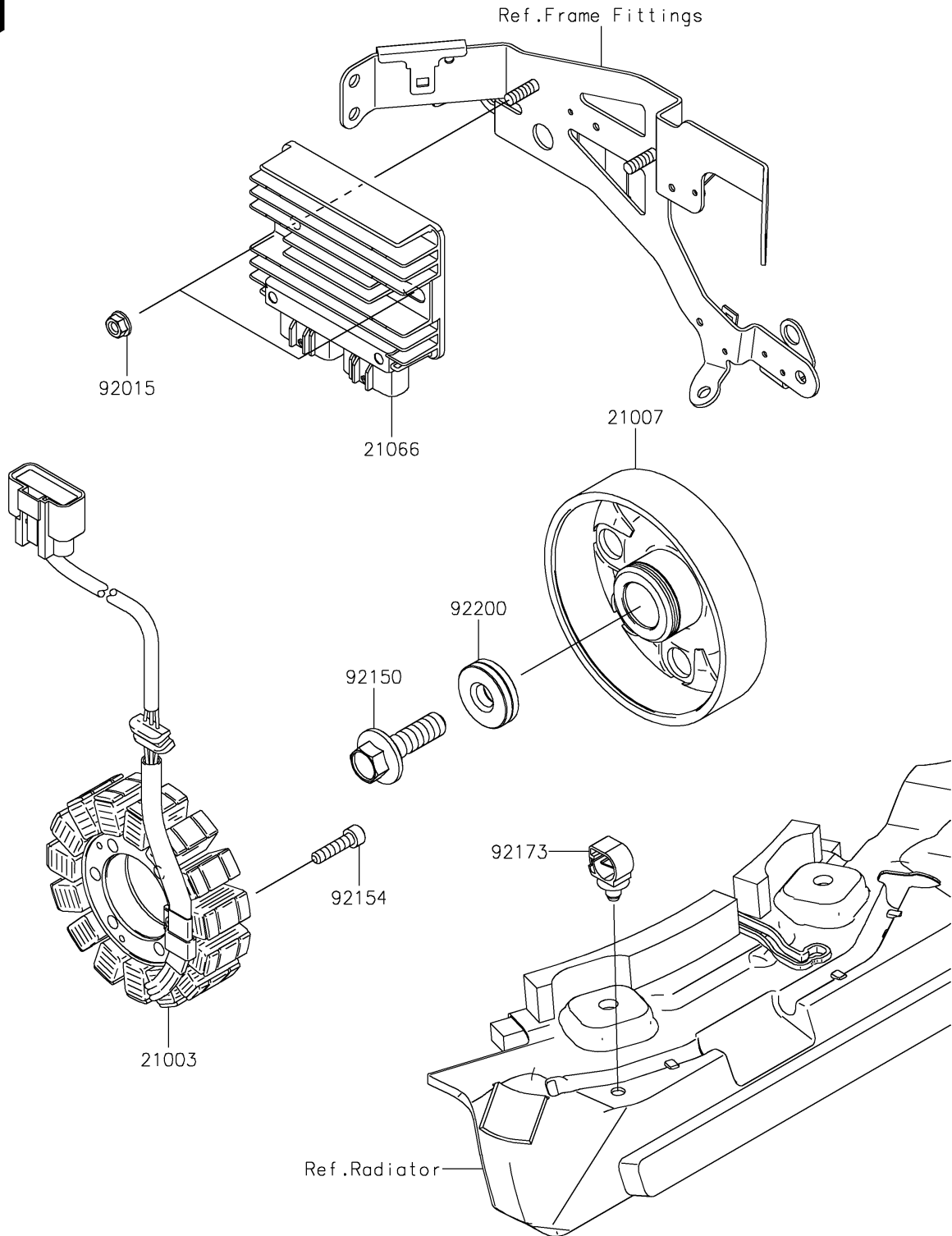


# 2024 Z H2 SE ABS PARTS DIAGRAM

Generator

E1810



## 2024 Z H2 SE ABS PARTS LIST

### Generator

| ITEM NAME                       | PART NUMBER | QUANTITY |
|---------------------------------|-------------|----------|
| STATOR (Ref # 21003)            | 21003-0197  | 1        |
| ROTOR (Ref # 21007)             | 21007-0611  | 1        |
| REGULATOR-VOLTAGE (Ref # 21066) | 21066-0745  | 1        |
| NUT,FLANGED,6MM (Ref # 92015)   | 92015-1367  | 2        |
| BOLT,12X40 (Ref # 92150)        | 92150-1717  | 1        |
| BOLT,SOCKET,6X25 (Ref # 92154)  | 92154-0477  | 4        |
| CLAMP,12MM DIA. (Ref # 92173)   | 92173-0736  | 1        |
| WASHER,12X34X9 (Ref # 92200)    | 92200-0369  | 1        |