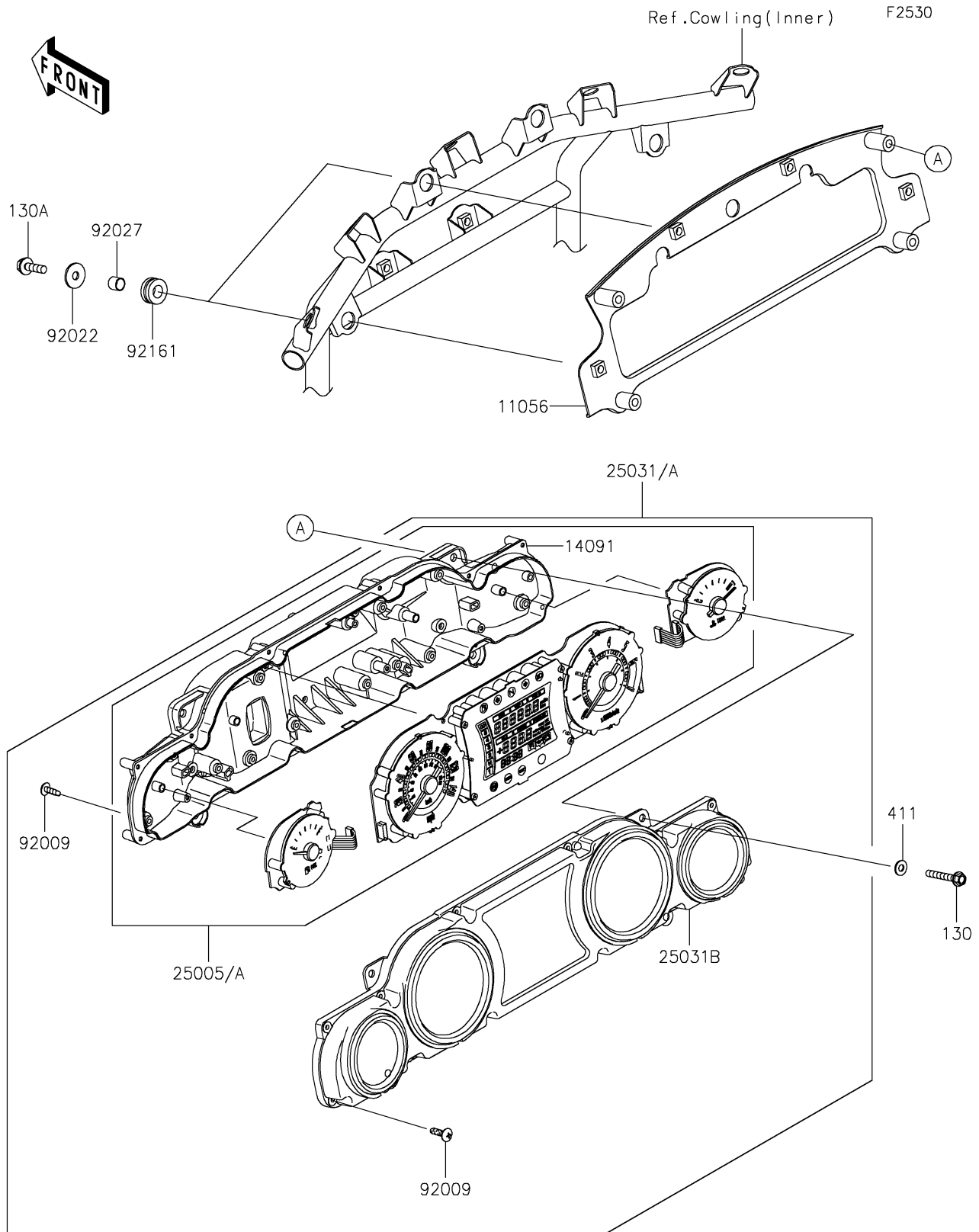


2022 Vulcan® 1700 Vaquero® ABS PARTS DIAGRAM

Meter(s)



2022 Vulcan® 1700 Vaquero® ABS PARTS LIST

Meter(s)

| ITEM NAME | PART NUMBER | QUANTITY |
|--|-------------|----------|
| BRACKET,METER (Ref # 11056) | 11056-1139 | 1 |
| COVER,METER,LWR (Ref # 14091) | 14091-1577 | 1 |
| SPEEDOMETER,COMBINATION,ABS (Ref # 25005) | 25005-0129 | 1 |
| SPEEDOMETER,COMBINATION,ABS (Ref # 25005A) | 25005-0130 | 1 |
| METER-ASSY,COMBINATION,ABS (Ref # 25031) | 25031-0701 | 1 |
| METER-ASSY,COMBINATION,ABS (Ref # 25031A) | 25031-0702 | 1 |
| METER-ASSY,UPP CASE (Ref # 25031B) | 25031-5046 | 1 |
| SCREW,TAPPING,3X16 (Ref # 92009) | 92009-1391 | 26 |
| WASHER,6.5X20X1.6,BLACK (Ref # 92022) | 92022-1346 | 4 |
| COLLAR,6.8X10X8.5 (Ref # 92027) | 92027-129 | 4 |
| DAMPER (Ref # 92161) | 92161-0154 | 4 |
| BOLT-FLANGED,5X35 (Ref # 130) | 130BA0535 | 4 |
| BOLT-FLANGED,6X20 (Ref # 130A) | 130BA0620 | 4 |
| WASHER-PLAIN,5MM (Ref # 411) | 411AB0500 | 4 |