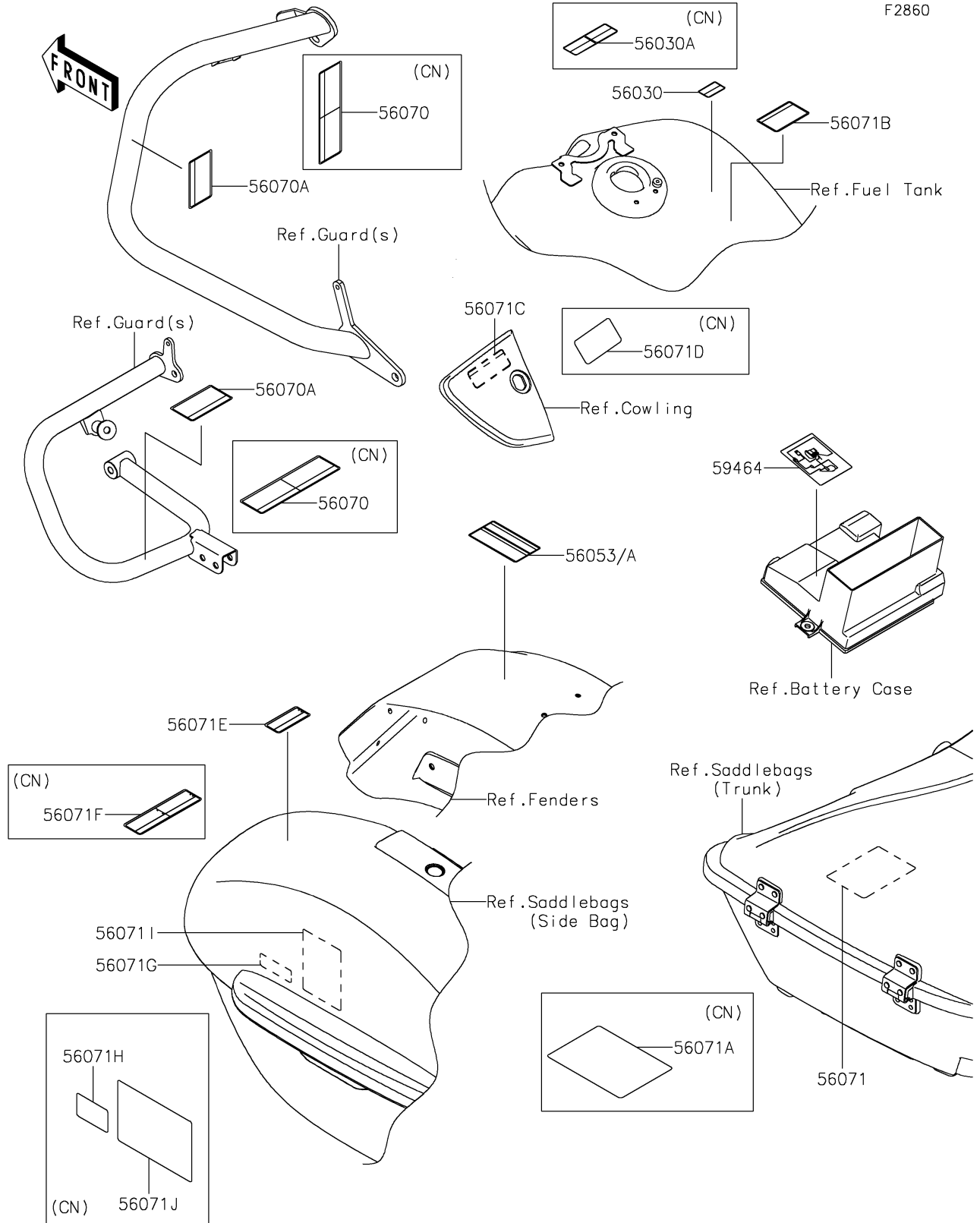


# 2022 VULCAN® 1700 VOYAGER® ABS PARTS DIAGRAM

Labels



F2860

## 2022 VULCAN® 1700 VOYAGER® ABS PARTS LIST

### Labels

ITEM NAME	PART NUMBER	QUANTITY
LABEL,GASOLINE (Ref # 56030)	56030-0357	1
LABEL,GASOLINE (Ref # 56030A)	56030-0358	1
LABEL-SPECIFICATION,TIRE&LOAD (Ref # 56053)	56053-1148	1
LABEL-SPECIFICATION,TIRE&LOAD (Ref # 56053A)	56053-1149	1
LABEL-WARNING,SIDE BAG GUARD (Ref # 56070)	56070-1180	2
LABEL-WARNING,SIDE BAG GUARD (Ref # 56070A)	56070-1285	2
LABEL-WARNING,CENTER BAG (Ref # 56071)	56071-0115	1
LABEL-WARNING,CENTER BAG (Ref # 56071A)	56071-0118	1
LABEL-WARNING,EVAPO (Ref # 56071B)	56071-0158	1
LABEL-WARNING,STORAGE COMPT (Ref # 56071C)	56071-0180	2
LABEL-WARNING,STORAGE COMPT (Ref # 56071D)	56071-0181	2
LABEL-WARNING,NO SIT ON LID (Ref # 56071E)	56071-0526	2
LABEL-WARNING,NO SIT ON LID (Ref # 56071F)	56071-0527	2
LABEL-WARNING,NO SIT ON BAG (Ref # 56071G)	56071-0528	2
LABEL-WARNING,NO SIT ON BAG (Ref # 56071H)	56071-0529	2
LABEL-WARNING,SADDLEBAG (Ref # 56071I)	56071-0630	2
LABEL-WARNING,SADDLEBAG (Ref # 56071J)	56071-0631	2
LABEL-CERTIFICATION,EVAPO ROUT (Ref # 59464)	59464-1618	1