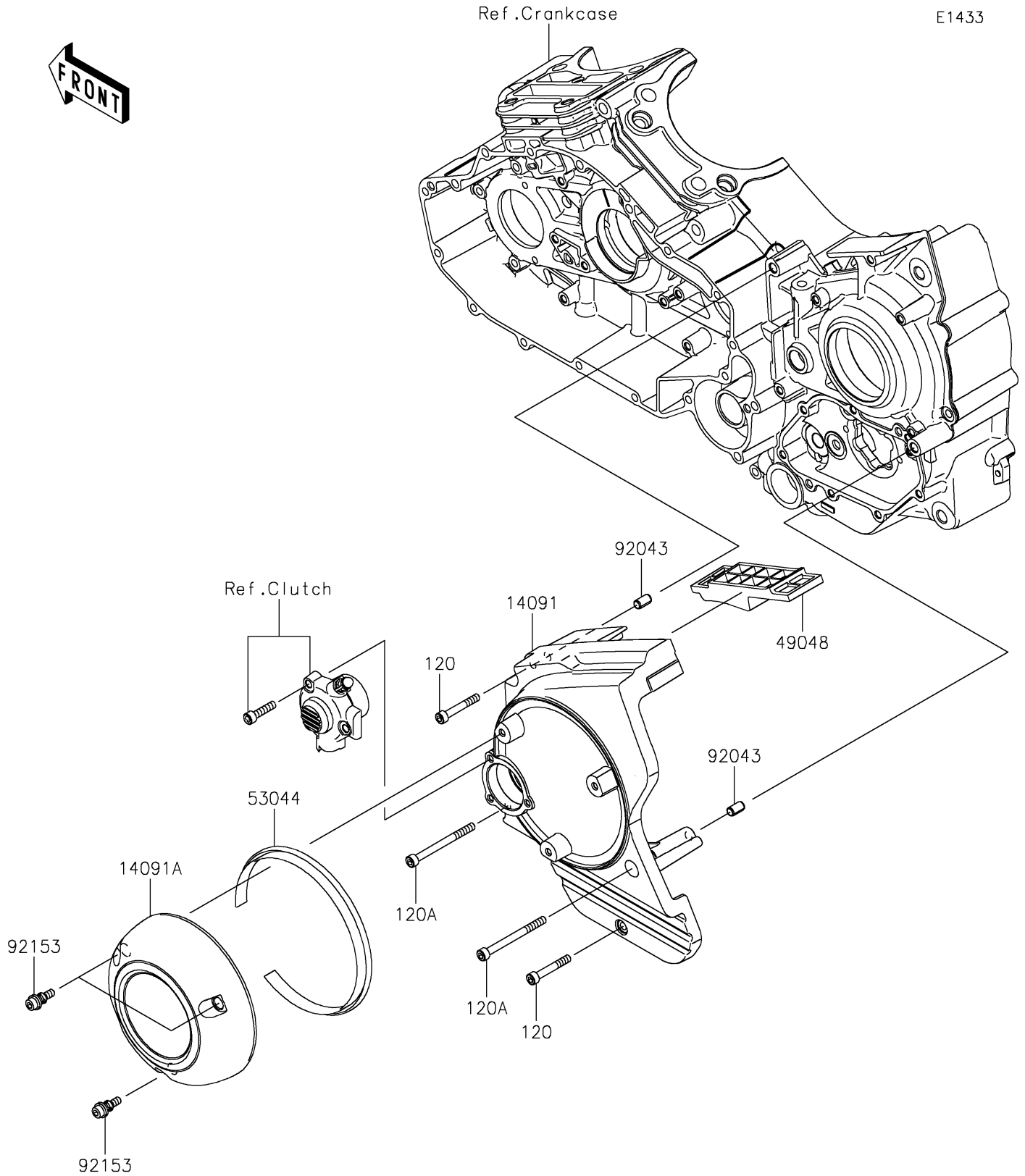


2023 VULCAN® 1700 VOYAGER® ABS PARTS DIAGRAM

Chain Cover

E1433



2023 VULCAN® 1700 VOYAGER® ABS PARTS LIST

Chain Cover

| ITEM NAME | PART NUMBER | QUANTITY |
|-----------------------------------|-------------|----------|
| COVER,PULLEY (Ref # 14091) | 14091-0970 | 1 |
| COVER,PULLEY,OUTER (Ref # 14091A) | 14091-0994 | 1 |
| SHOE (Ref # 49048) | 49048-0004 | 1 |
| TRIM,ISOLATOR (Ref # 53044) | 53044-0047 | 1 |
| PIN,6.2X8X14 (Ref # 92043) | 92043-1263 | 2 |
| BOLT,SOCKET,6X22 (Ref # 92153) | 92153-1331 | 3 |
| BOLT-SOCKET,6X40 (Ref # 120) | 120CC0640 | 2 |
| BOLT-SOCKET,6X70 (Ref # 120A) | 120CC0670 | 2 |