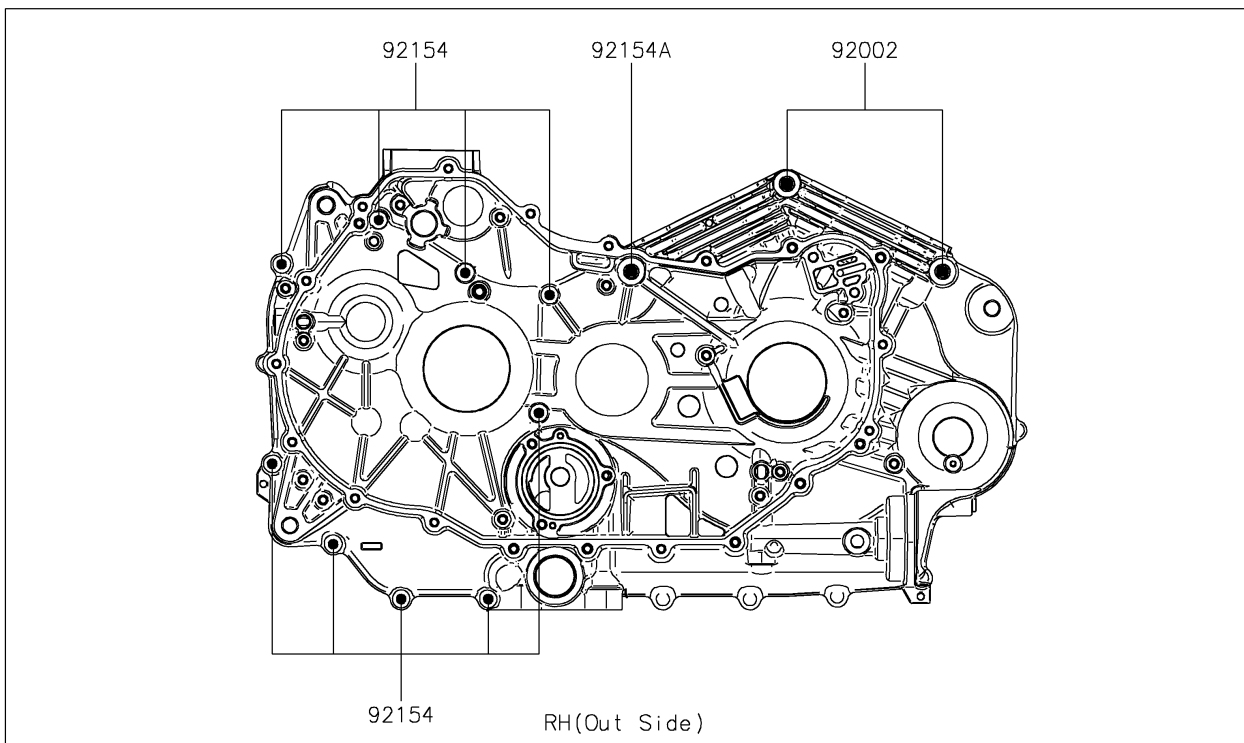
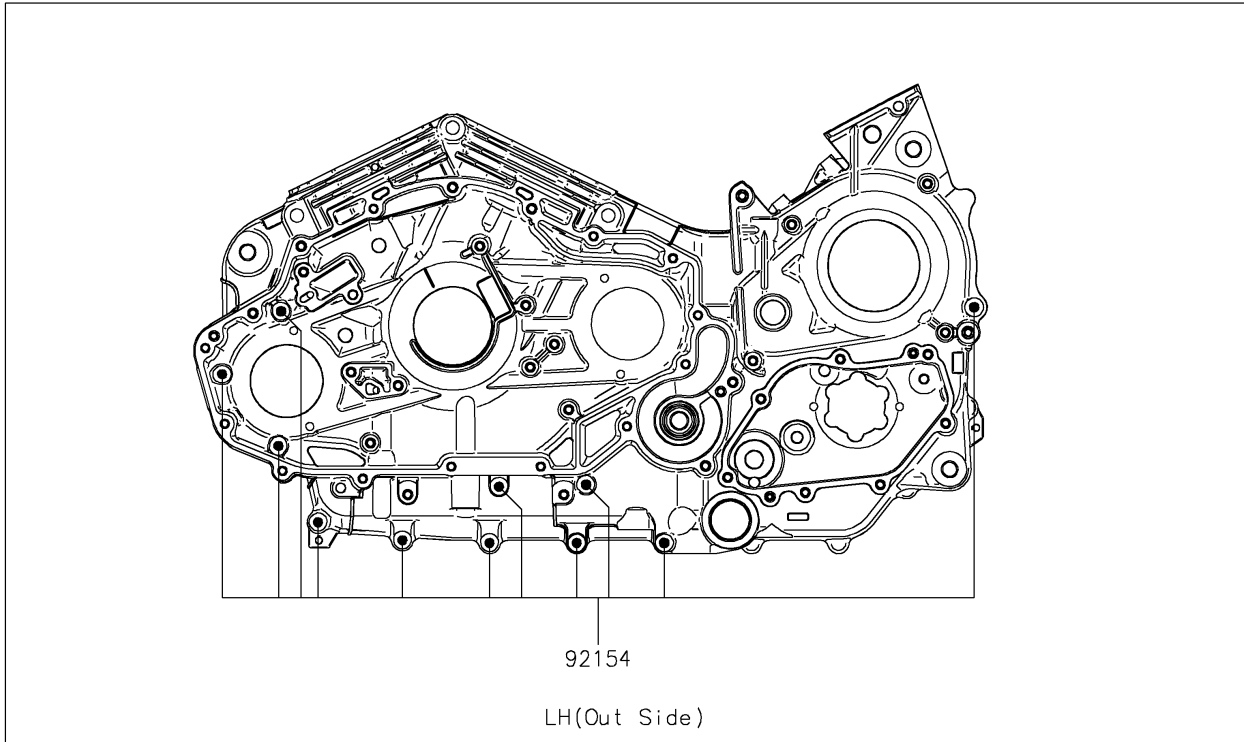


2022 VULCAN[®] 1700 VOYAGER[®] ABS PARTS DIAGRAM

Crankcase Bolt Pattern

E1412



2022 VULCAN® 1700 VOYAGER® ABS PARTS LIST

Crankcase Bolt Pattern

ITEM NAME	PART NUMBER	QUANTITY
BOLT,FLANGED,10X190 (Ref # 92002)	92002-1548	2
BOLT,FLANGED-SMALL,6X90 (Ref # 92154)	92154-0132	20
BOLT,FLANGED,10X190 (Ref # 92154A)	92154-1765	1