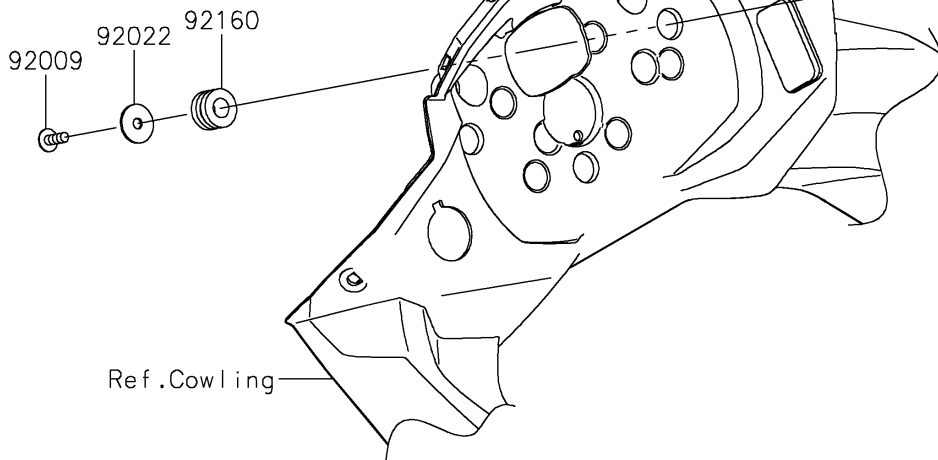
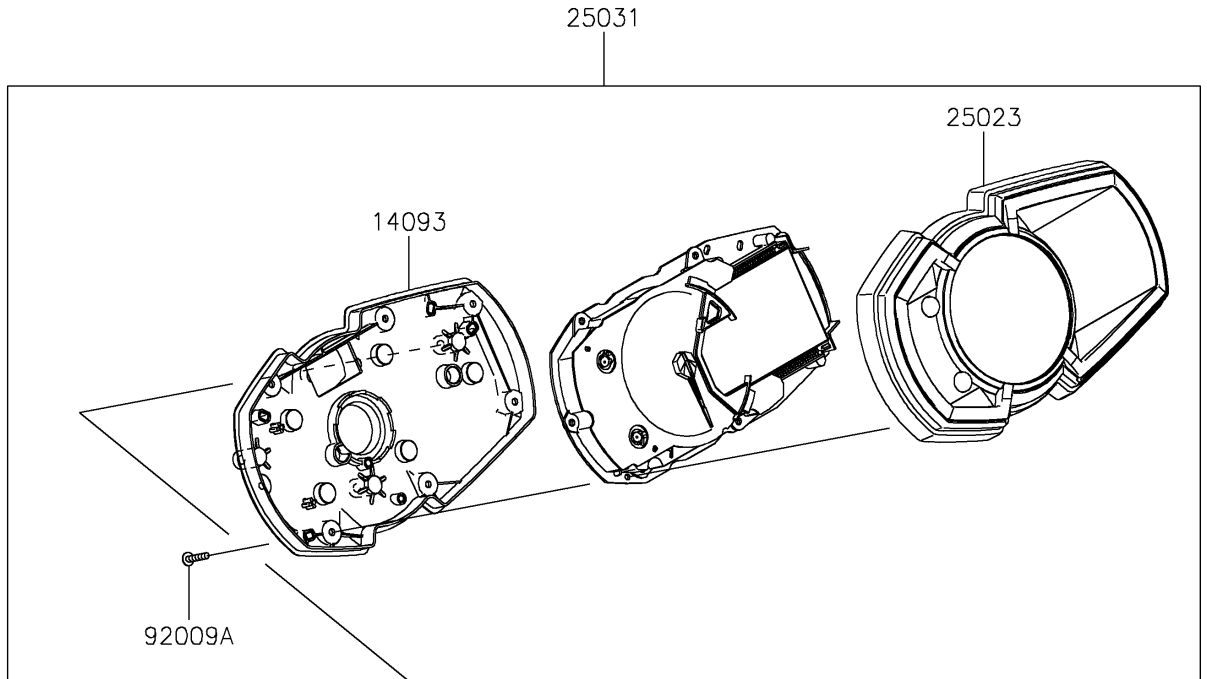


# 2023 Versys-X 300 ABS PARTS DIAGRAM

Meter(s)

F2530



## 2023 Versys-X 300 ABS PARTS LIST

Meter(s)

ITEM NAME	PART NUMBER	QUANTITY
COVER,METER,LWR (Ref # 14093)	14093-0513	1
COVER-METER CASE (Ref # 25023)	25023-0143	1
METER-ASSY,COMBINATION,ABS (Ref # 25031)	25031-0924	1
SCREW,TAPPING,5X14 (Ref # 92009)	92009-1197	3
SCREW,TAPPING,3X16 (Ref # 92009A)	92009-1391	9
WASHER,5.5X20X1.2 (Ref # 92022)	92022-1405	3
DAMPER,10X20X12 (Ref # 92160)	92160-1167	3