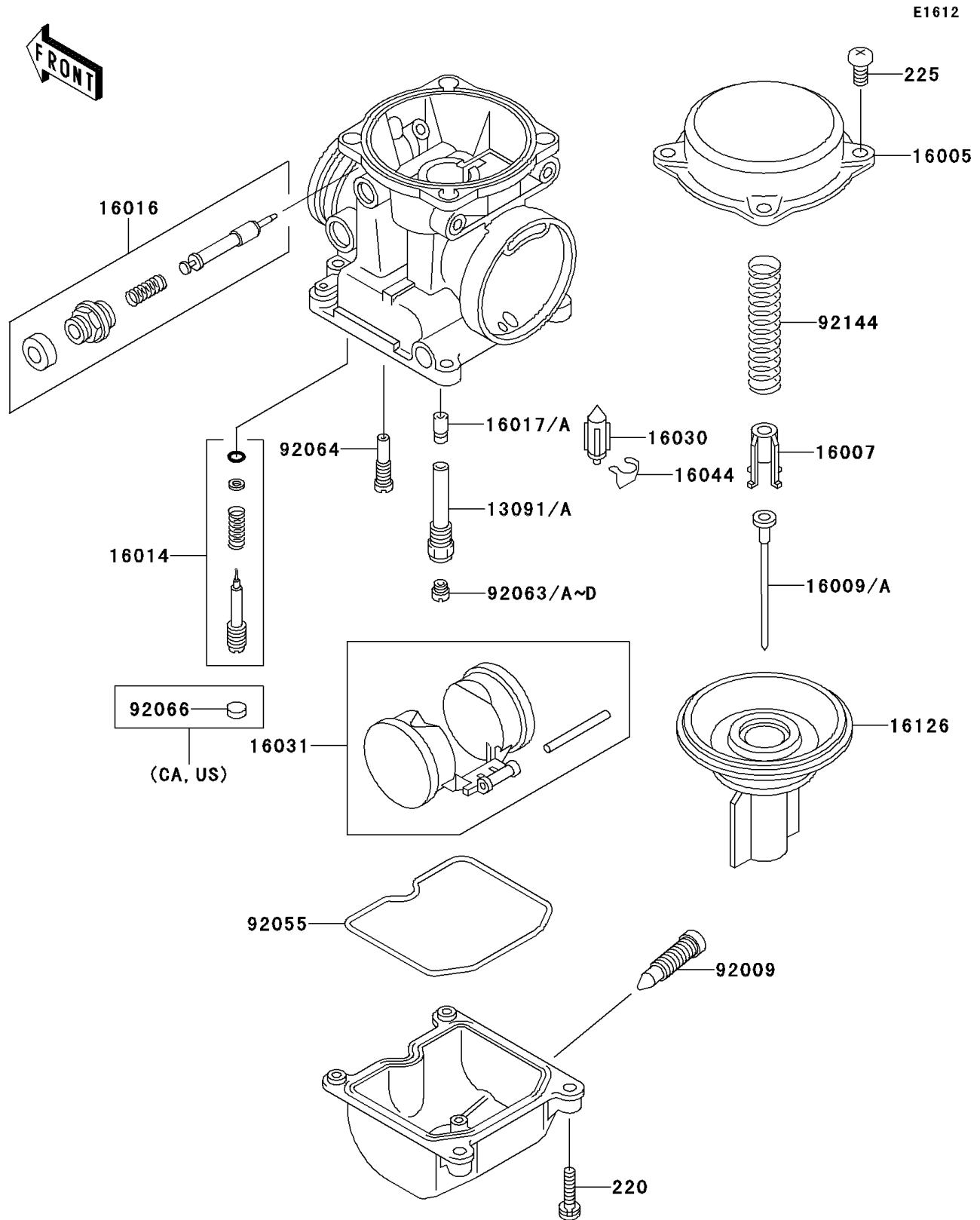


1997 GPZ 1100 PARTS DIAGRAM

Carburetor Parts



1997 GPZ 1100 PARTS LIST

Carburetor Parts

ITEM NAME	PART NUMBER	QUANTITY
SCREW-PAN-CROS (Ref # 220)	220D0414	1
SCREW-PAN-WSP-CROS (Ref # 225)	225C0418	1
HOLDER,NEEDLE JET (Ref # 13091)	13091-1425	1
HOLDER,NEEDLE JET,#1,#4 (Ref # 13091A)	13091-1925	1
TOP-CHAMBER,MIXING (Ref # 16005)	16005-1054	1
SEAT-SPRING,VALVE (Ref # 16007)	16007-1117	1
NEEDLE-JET,N2LB (Ref # 16009)	16009-1856	1
NEEDLE-JET,N2LC (Ref # 16009A)	16009-1857	1
SCREW-PILOT AIR (Ref # 16014)	16014-1080	1
PLUNGER,STARTER (Ref # 16016)	16016-1090	1
JET-NEEDLE (Ref # 16017)	16017-1265	1
VALVE-FLOAT (Ref # 16030)	16030-1057	1
FLOAT (Ref # 16031)	16031-1077	1
CLAMP,FLOAT VALVE (Ref # 16044)	16044-007	1
VALVE,VACUUM (Ref # 16126)	16126-1170	1
SCREW,DRAIN,M6X0.75 (Ref # 92009)	92009-1551	1
RING-O,FLOAT CHAMBER (Ref # 92055)	92055-1222	1
JET-MAIN,#105 (Ref # 92063)	92063-1009	1
JET-MAIN,#110 (Ref # 92063A)	92063-1114	1
JET-MAIN,#108 (Ref # 92063B)	92063-1116	1
JET-MAIN,#112 (Ref # 92063C)	92063-1117	1
JET-MAIN,#115 (Ref # 92063D)	92063-1118	1
JET-PILOT,#35 (Ref # 92064)	92064-1101	1
PLUG,PILOT AIR SCREW,6.9X2 (Ref # 92066)	92066-1051	1
SPRING,VACUUM VALVE (Ref # 92144)	92144-1219	1