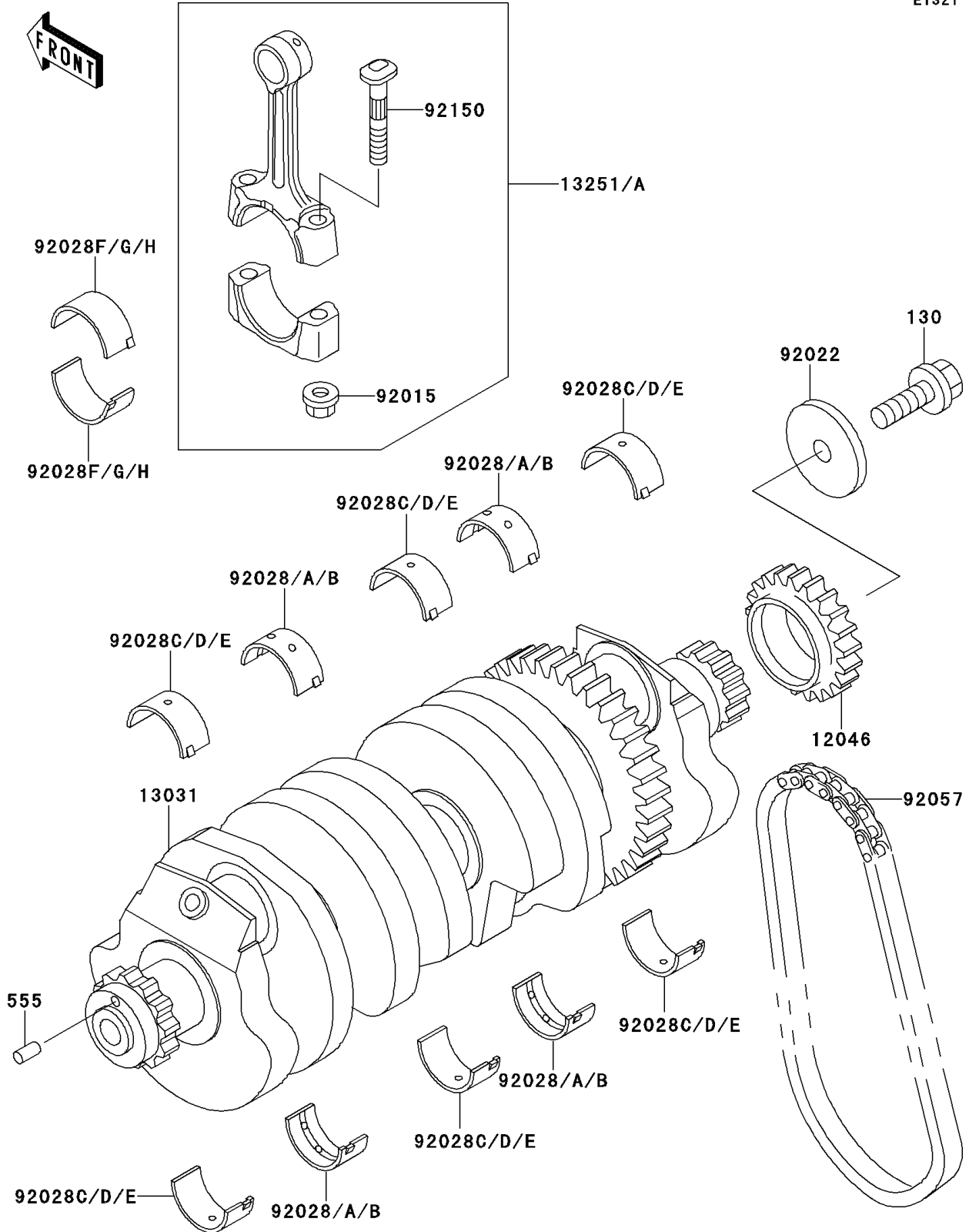


1997 GPZ 1100 PARTS DIAGRAM

Crankshaft

E1321



1997 GPZ 1100 PARTS LIST

Crankshaft

ITEM NAME	PART NUMBER	QUANTITY
BOLT-FLANGED,8X25 (Ref # 130)	130G0825	1
PIN-SPRING (Ref # 555)	555A0412	1
SPROCKET,21T (Ref # 12046)	12046-1084	1
CRANKSHAFT-COMP (Ref # 13031)	13031-1395	1
ROD-ASSY-CONNECTING,K (Ref # 13251)	13251-1102-KK	1
ROD-ASSY-CONNECTING,L (Ref # 13251A)	13251-1102-LL	1
NUT,CONNECTING ROD (Ref # 92015)	92015-1559	1
WASHER,8.5X36X4 (Ref # 92022)	92022-1633	1
BUSHING,CRANKSHAFT,BLUE (Ref # 92028)	92028-1100	1
BUSHING,CRANKSHAFT,BLACK (Ref # 92028A)	92028-1101	1
BUSHING,CRANKSHAFT,BROWN (Ref # 92028B)	92028-1102	1
BUSHING,CRANKSHAFT,BLUE (Ref # 92028C)	92028-1272	1
BUSHING,CRANKSHAFT,BLACK (Ref # 92028D)	92028-1273	1
BUSHING,CRANKSHAFT,BROWN (Ref # 92028E)	92028-1274	1
BUSHING,CONNECTING ROD,BLACK (Ref # 92028F)	92028-1679	1
BUSHING,CONNECTING ROD,BLUE (Ref # 92028G)	92028-1680	1
BUSHING,CONNECTING ROD,WHITE (Ref # 92028H)	92028-1681	1
CHAIN,GENERATOR (Ref # 92057)	92057-1209	1
BOLT,CONNECTING ROD,9MM (Ref # 92150)	92150-1362	1