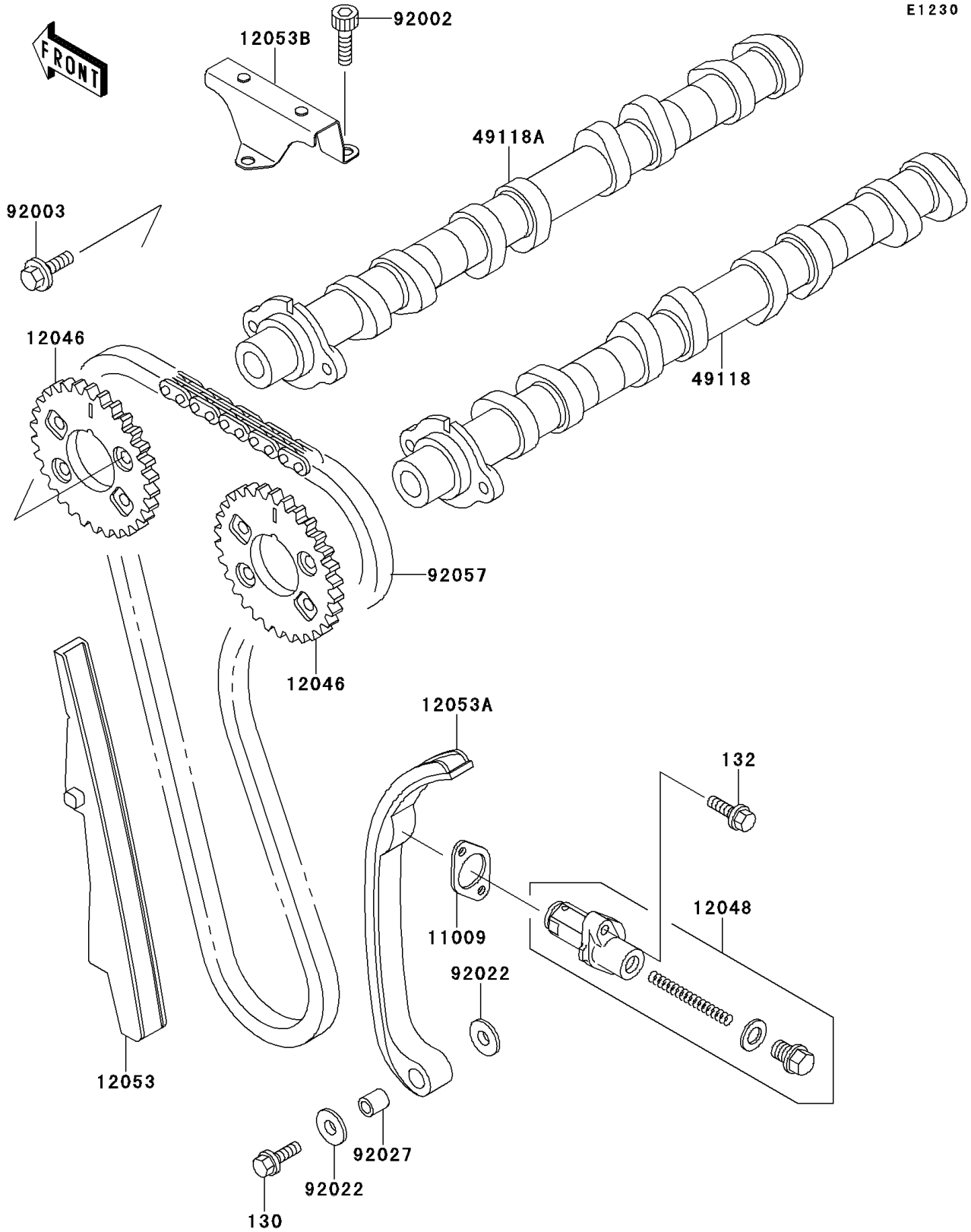


1995 GPZ 1100 PARTS DIAGRAM

Camshaft(s)/Tensioner

E1230



1995 GPZ 1100 PARTS LIST

Camshaft(s)/Tensioner

ITEM NAME	PART NUMBER	QUANTITY
BOLT-FLANGED,8X35 (Ref # 130)	130G0835	1
BOLT-FLANGED-SMALL (Ref # 132)	132J0625	1
GASKET,TENSIONER (Ref # 11009)	11009-1858	1
SPROCKET,CAMSHAFT,34T (Ref # 12046)	12046-1112	1
TENSIONER-ASSY (Ref # 12048)	12048-1144	1
GUIDE-CHAIN,FR (Ref # 12053)	12053-1241	1
GUIDE-CHAIN,RR (Ref # 12053A)	12053-1242	1
GUIDE-CHAIN,UPP (Ref # 12053B)	12053-1243	1
CAMSHAFT-COMP,INTAKE (Ref # 49118)	49118-1130	1
CAMSHAFT-COMP,EXHAUST (Ref # 49118A)	49118-1131	1
BOLT,SOCKET,6X12 (Ref # 92002)	92002-1796	1
BOLT,FLANGED,6X11 (Ref # 92003)	92003-208	1
WASHER,8.2X19X2 (Ref # 92022)	92022-1533	1
COLLAR,8.2X10.5X15.6 (Ref # 92027)	92027-1763	1
CHAIN,CAMSHAFT (Ref # 92057)	92057-1255	1