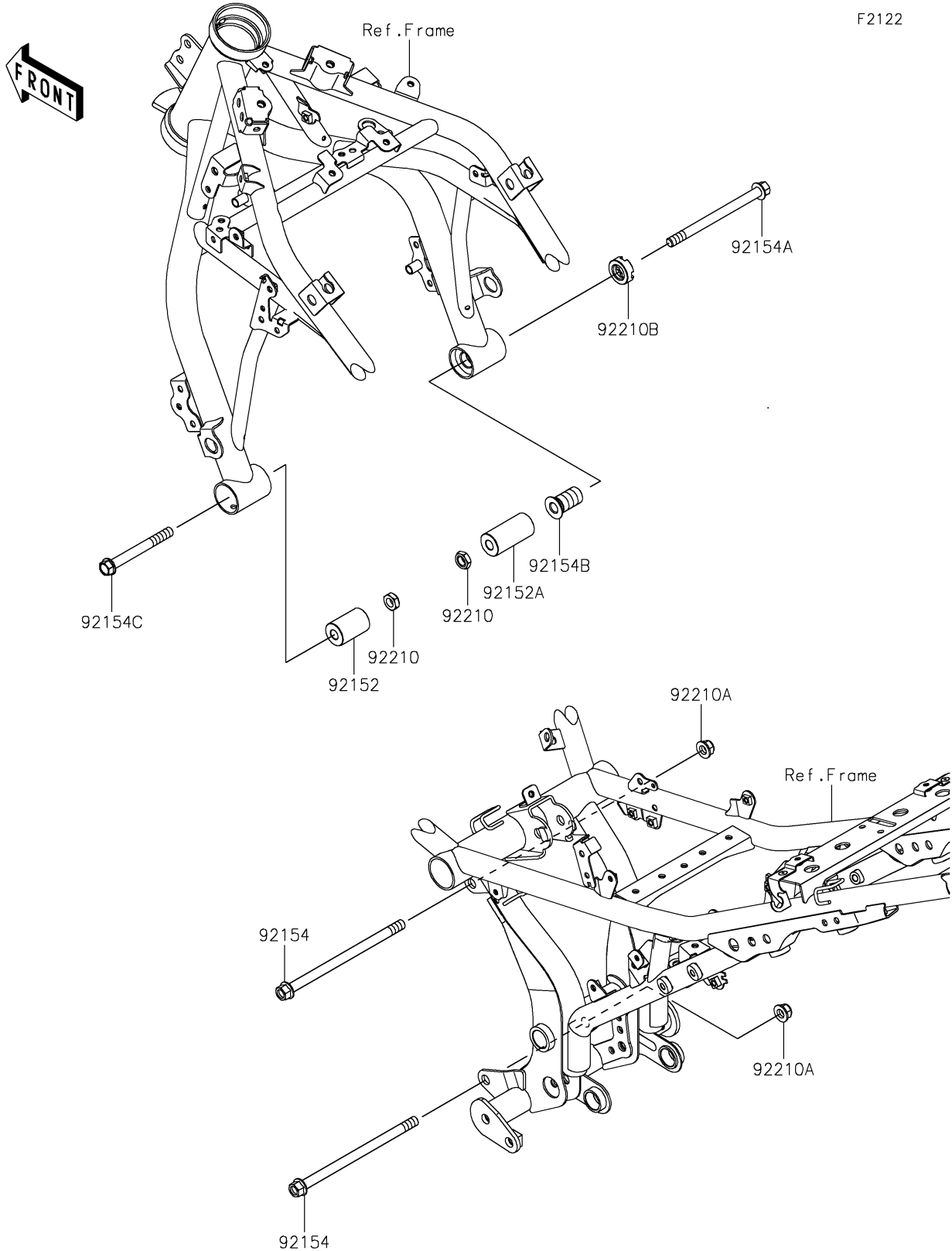


# 2023 Ninja® 650 KRT Edition PARTS DIAGRAM

## Engine Mount

F2122



## 2023 Ninja® 650 KRT Edition PARTS LIST

### Engine Mount

ITEM NAME	PART NUMBER	QUANTITY
COLLAR,10.5X26X40 (Ref # 92152)	92152-2230	1
COLLAR,10.5X26X54 (Ref # 92152A)	92152-2231	1
BOLT,FLANGED,10X170 (Ref # 92154)	92154-0840	2
BOLT,FLANGED,10X132 (Ref # 92154A)	92154-2167	1
BOLT,ADJUST,18X35 (Ref # 92154B)	92154-2168	1
BOLT,FLANGED,10X90 (Ref # 92154C)	92154-2645	1
NUT,LOCK,10MM (Ref # 92210)	92210-0784	2
NUT,LOCK,FLANGED,10MM (Ref # 92210A)	92210-1081	2
NUT,18MM (Ref # 92210B)	92210-1203	1