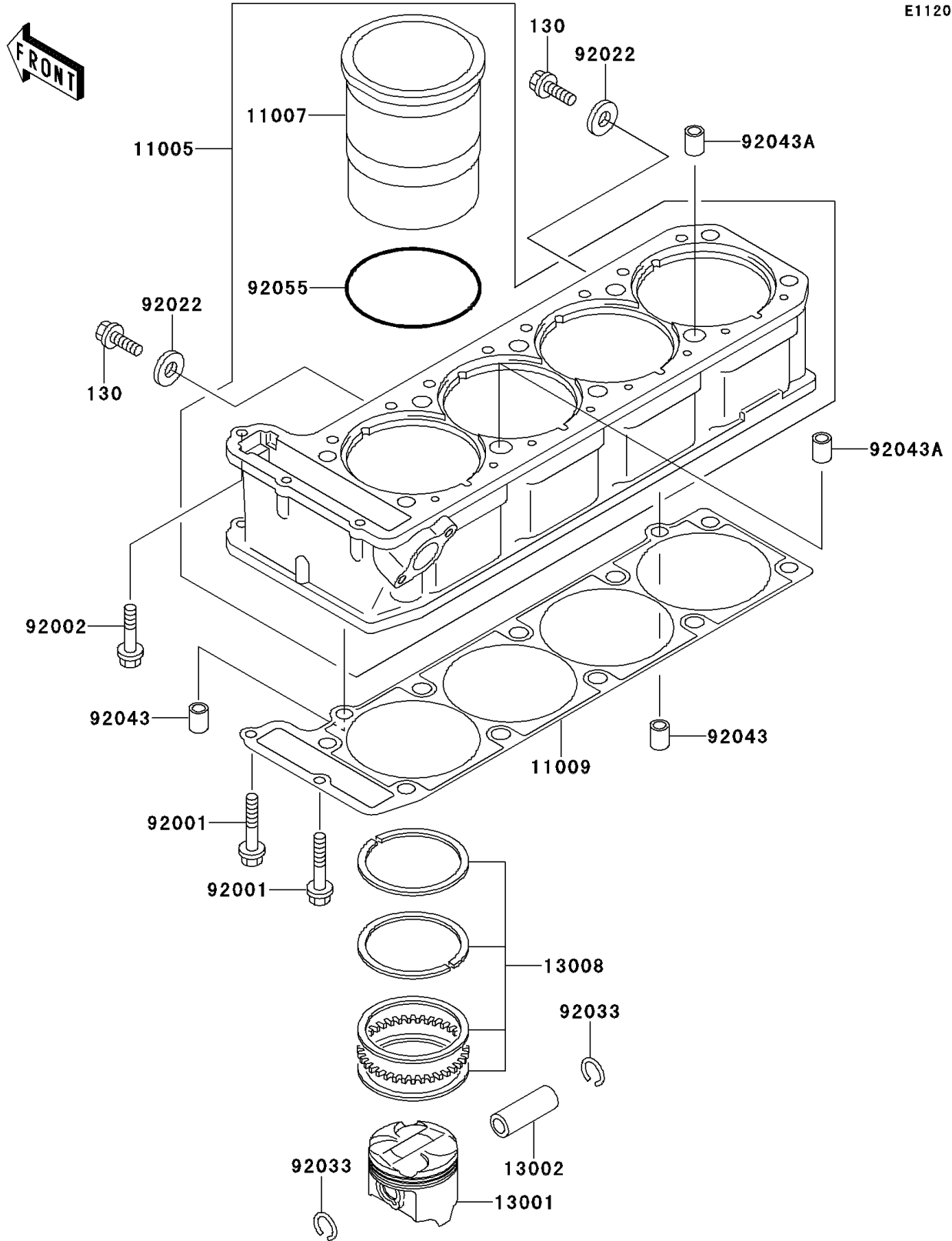


1997 GPZ 1100 PARTS DIAGRAM

Cylinder/Piston(s)

E1120



1997 GPZ 1100 PARTS LIST

Cylinder/Piston(s)

ITEM NAME	PART NUMBER	QUANTITY
BOLT-FLANGED,6X10,BLACK (Ref # 130)	130C0610	1
CYLINDER-ENGINE (Ref # 11005)	11005-1765	1
LINER-CYLINDER (Ref # 11007)	11007-1114	1
GASKET,CYLINDER BASE (Ref # 11009)	11009-1847	1
PISTON-ENGINE (Ref # 13001)	13001-1397	1
PIN-PISTON (Ref # 13002)	13002-1058	1
RING-SET-PISTON (Ref # 13008)	13008-1152	1
BOLT,6X38 (Ref # 92001)	92001-1899	1
BOLT,6X30 (Ref # 92002)	92002-1138	1
WASHER,6.2X11X1 (Ref # 92022)	92022-304	1
RING-SNAP,20.5X1.2 (Ref # 92033)	92033-1099	1
PIN,8.2X10X14 (Ref # 92043)	92043-1264	1
PIN,11.5X14X14 (Ref # 92043A)	92043-1279	1
RING-O,82.6X2.4 (Ref # 92055)	92055-1465	1