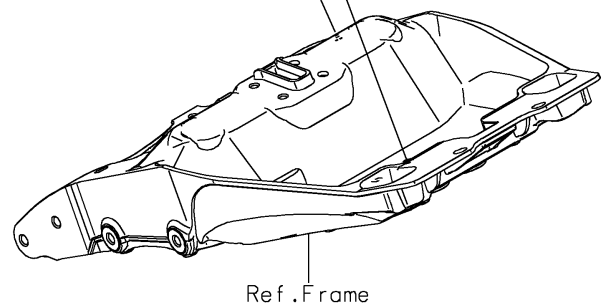
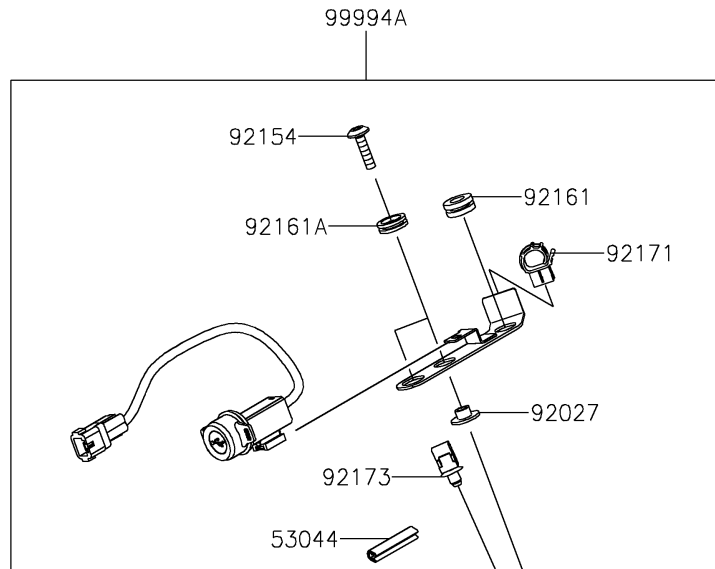
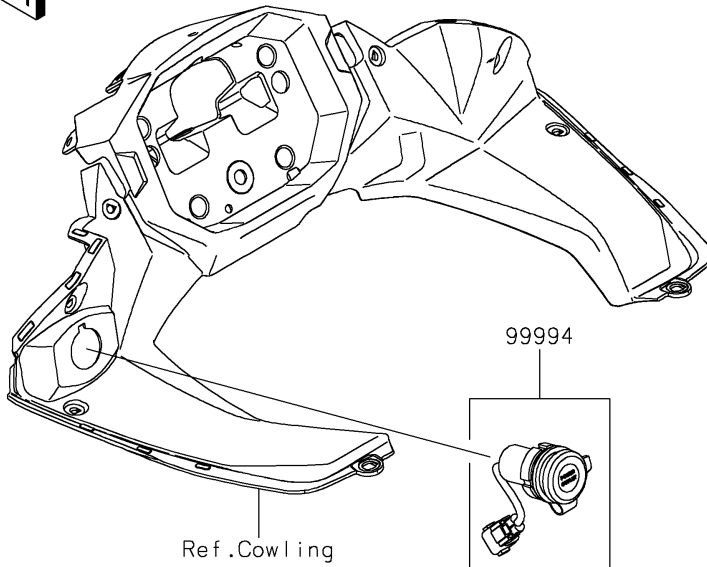


# 2024 Ninja 1000SX PARTS DIAGRAM

Accessory(DC and USB Socket)

F2910G



## 2024 Ninja 1000SX PARTS LIST

Accessory(DC and USB Socket)

ITEM NAME	PART NUMBER	QUANTITY
TRIM,L=40 (Ref # 53044)	53044-0012	1
COLLAR,L=7 (Ref # 92027)	92027-153	2
BOLT,SOCKET,6X25 (Ref # 92154)	92154-1629	2
DAMPER (Ref # 92161)	92161-0154	1
DAMPER,10X20X6 (Ref # 92161A)	92161-1592	2
CLAMP,EDGE CLIP (Ref # 92171)	92171-1722	1
CLAMP,12MM DIA. (Ref # 92173)	92173-0736	1
DC 12V OUTLET (Ref # 99994)	99994-1413	1
USB-OUTLET (Ref # 99994A)	99994-1459	1