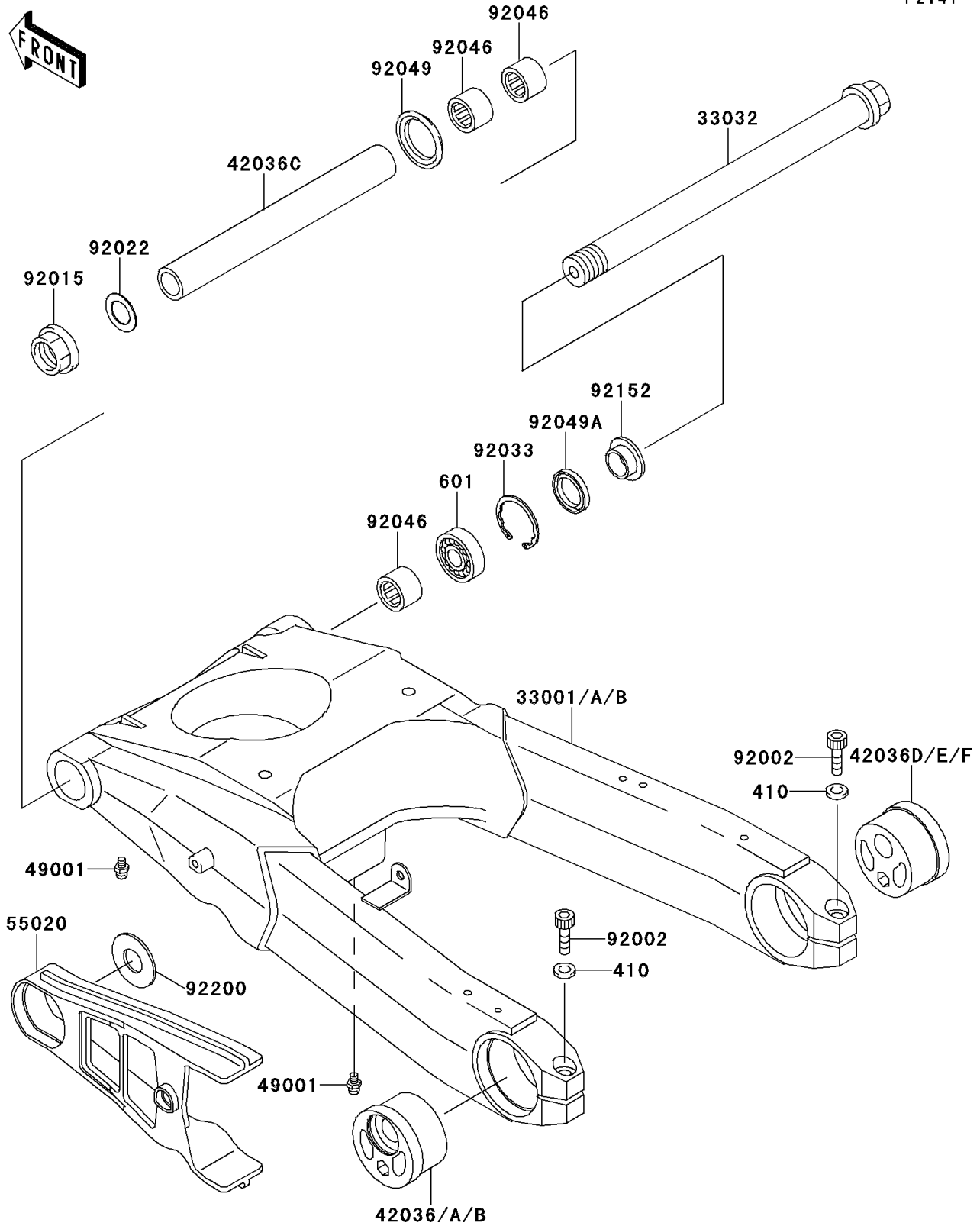


1999 Ninja® ZX™-11 PARTS DIAGRAM

Swingarm

F2141



1999 Ninja® ZX™-11 PARTS LIST

Swingarm

ITEM NAME	PART NUMBER	QUANTITY
W-PLAIN-S (Ref # 410)	410E1000	2
BEARING-BALL,#6004 (Ref # 601)	601A6004	1
SHAFT-SWING ARM (Ref # 33032)	33032-1170	1
SLEEVE,SWING ARM,L=237 (Ref # 42036C)	42036-1264	1
NIPPLE-GREASE (Ref # 49001)	49001-1051	2
GUARD,CHAIN (Ref # 55020)	55020-1528	1
BOLT,SOCKET,10X40 (Ref # 92002)	92002-1452	2
NUT,FLANGED,20MM (Ref # 92015)	92015-1724	1
WASHER,THRUST,20.5MM (Ref # 92022)	92022-1280	1
RING-SNAP,42MM (Ref # 92033)	92033-1041	1
BEARING-NEEDLE,BM2817 (Ref # 92046)	92046-1111	3
SEAL-OIL (Ref # 92049)	92049-1181	1
SEAL-OIL,MHSA25 42 6 (Ref # 92049A)	92049-1314	1
COLLAR,SWING ARM,L=12.5 (Ref # 92152)	92152-1234	1
WASHER,20.3X48X2.3 (Ref # 92200)	92200-1167	1
ARM-COMP-SWING,P.C.GRAY (Ref # 33001)	33001-1483-CQ	1
ARM-COMP-SWING,C.GRAY (Ref # 33001A)	33001-1483-EZ	1
ARM-COMP-SWING,G.GRAY (Ref # 33001B)	33001-1483-GD	1
SLEEVE,REAR AXLE,LH,P.C.GRAY (Ref # 42036)	42036-1153-CQ	1
SLEEVE,REAR AXLE,LH,C.GRAY (Ref # 42036A)	42036-1153-EZ	1
SLEEVE,REAR AXLE,LH,G.GRAY (Ref # 42036B)	42036-1153-GD	1
SLEEVE,REAR AXLE,RH,P.C.GRAY (Ref # 42036D)	42036-1265-CQ	1
SLEEVE,REAR AXLE,RH,C.GRAY (Ref # 42036E)	42036-1265-EZ	1
SLEEVE,REAR AXLE,RH,G.GRAY (Ref # 42036F)	42036-1265-GD	1