

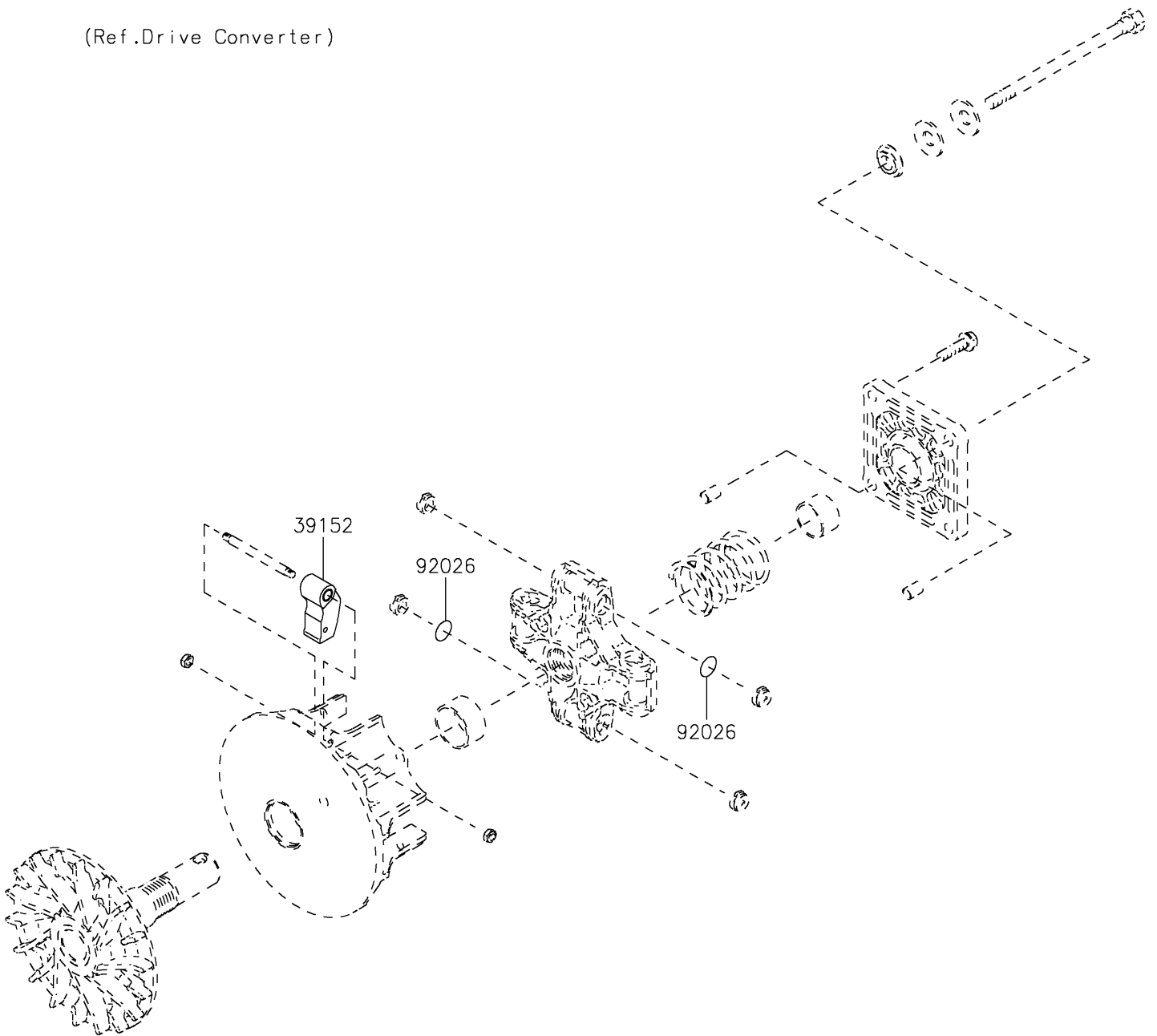
2024 MULE SX™ PARTS DIAGRAM

Optional Parts

F2890



(Ref. Drive Converter)



2024 MULE SX™ PARTS LIST

Optional Parts

ITEM NAME	PART NUMBER	QUANTITY
WEIGHT-RAMP,C155 (Ref # 39152)	39152-0014	4
SPACER,T=0.1 (Ref # 92026)	92026-0038	2