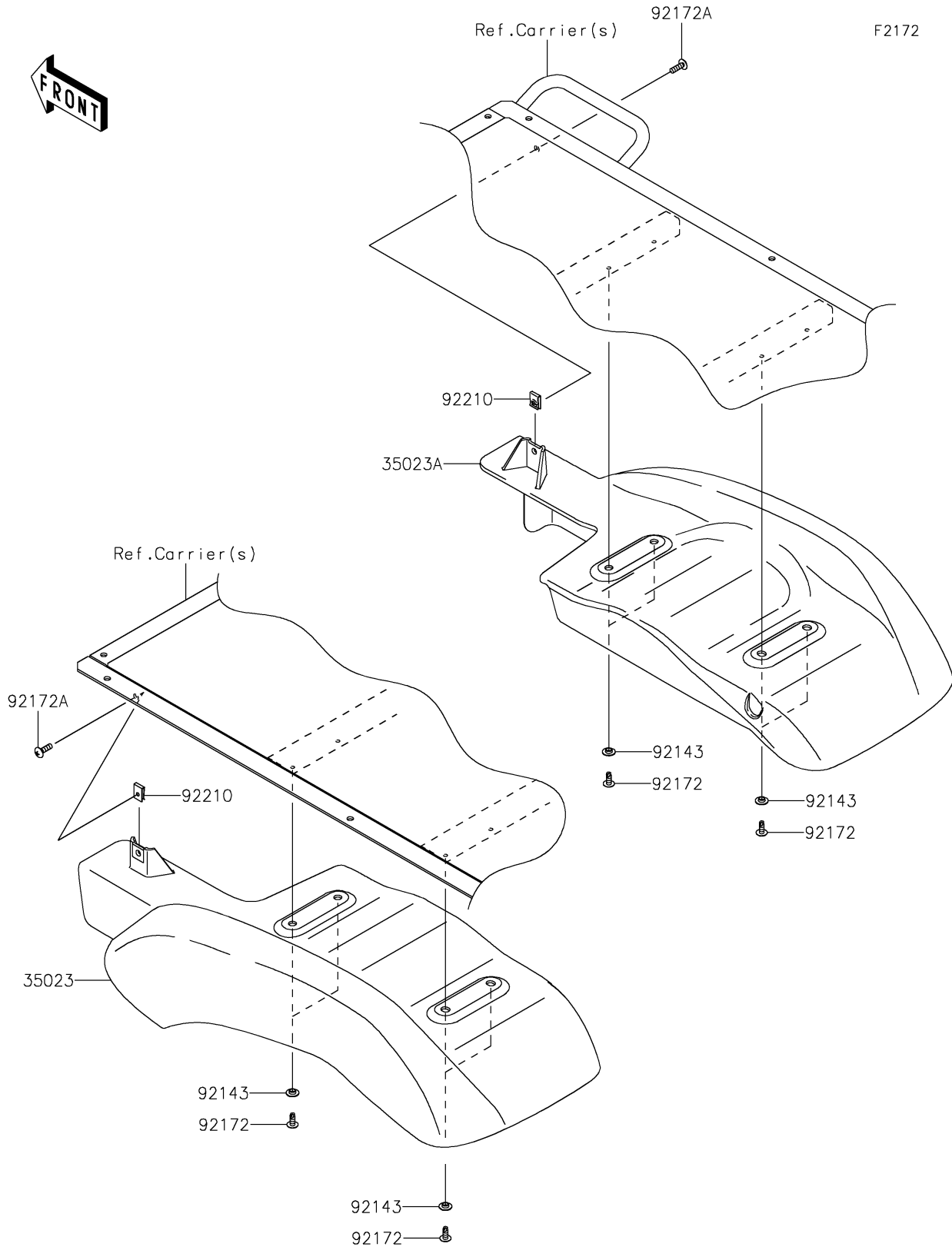


2024 MULE SX™ PARTS DIAGRAM

Rear Fender(s)



2024 MULE SX™ PARTS LIST

Rear Fender(s)

| ITEM NAME | PART NUMBER | QUANTITY |
|---------------------------------------|---------------|----------|
| FENDER-REAR,LH,F.BLACK (Ref # 35023) | 35023-0045-6Z | 1 |
| FENDER-REAR,RH,F.BLACK (Ref # 35023A) | 35023-0046-6Z | 1 |
| COLLAR (Ref # 92143) | 92143-1087 | 8 |
| SCREW,TAPPING,6X16 (Ref # 92172) | 92172-0739 | 8 |
| SCREW,TAPPING,6X20 (Ref # 92172A) | 92172-0883 | 2 |
| NUT,LEAF SPRING,6MM (Ref # 92210) | 92210-0624 | 2 |