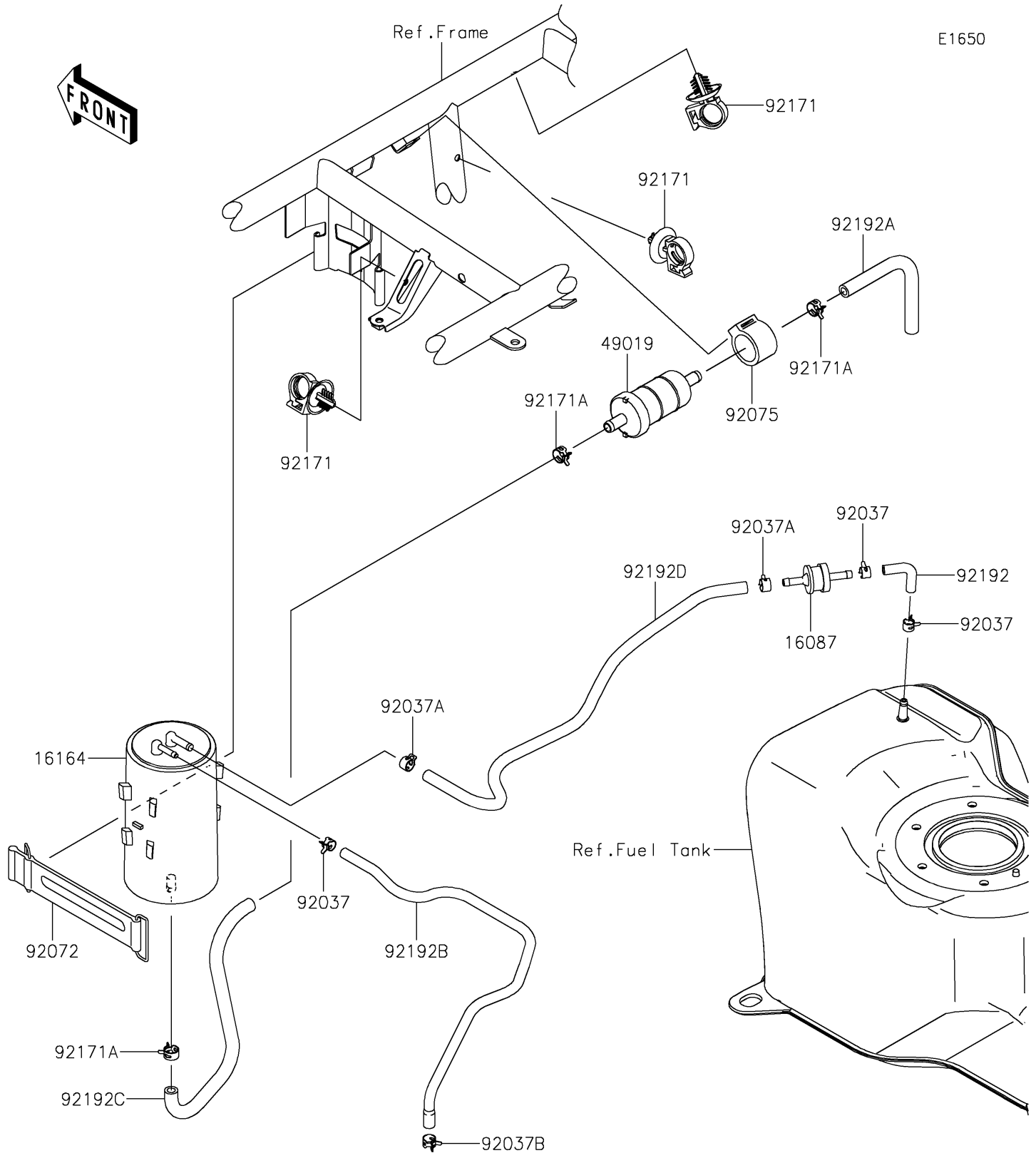


2024 MULE SX™ PARTS DIAGRAM

Fuel Evaporative System



2024 MULE SX™ PARTS LIST

Fuel Evaporative System

| ITEM NAME | PART NUMBER | QUANTITY |
|--|-------------|----------|
| VALVE-CHECK (Ref # 16087) | 16087-0008 | 1 |
| CANISTER (Ref # 16164) | 16164-0018 | 1 |
| FILTER-FUEL (Ref # 49019) | 49019-0032 | 1 |
| CLAMP,TUBE (Ref # 92037) | 92037-1461 | 3 |
| CLAMP,TUBE (Ref # 92037A) | 92037-1505 | 2 |
| CLAMP (Ref # 92037B) | 92037-2113 | 1 |
| BAND,L=168 (Ref # 92072) | 92072-1306 | 1 |
| DAMPER,FUEL FILTER (Ref # 92075) | 92075-1853 | 1 |
| CLAMP (Ref # 92171) | 92171-0453 | 3 |
| CLAMP (Ref # 92171A) | 92171-0515 | 3 |
| TUBE,FUEL TANK-CHECK VALVE (Ref # 92192) | 92192-0067 | 1 |
| TUBE,FILTER-AIR (Ref # 92192A) | 92192-0609 | 1 |
| TUBE,CANISTER-DUCT (Ref # 92192B) | 92192-1027 | 1 |
| TUBE,CANISTER-FILTER (Ref # 92192C) | 92192-1639 | 1 |
| TUBE,VALVE-CANISTER (Ref # 92192D) | 92192-1641 | 1 |