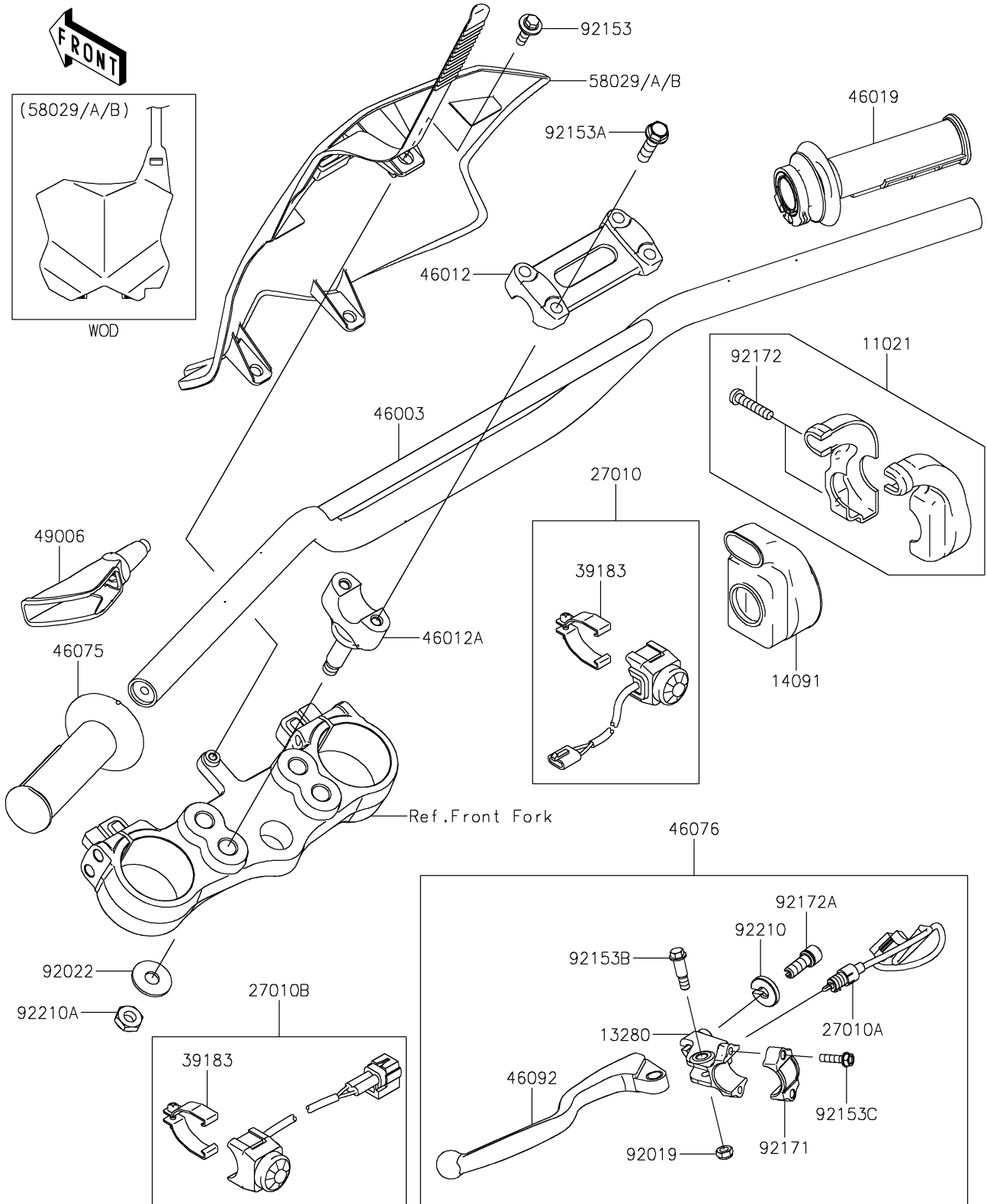


2025 KLX300R PARTS DIAGRAM

Handlebar

F2310



2025 KLX300R PARTS LIST

Handlebar

| ITEM NAME | PART NUMBER | QUANTITY |
|--|----------------|----------|
| CASE-ASSY,THROTTLE (Ref # 11021) | 11021-0035 | 1 |
| HOLDER,CLUTCH LEVER (Ref # 13280) | 13280-0256 | 1 |
| COVER,THROTTLE CASE (Ref # 14091) | 14091-0182 | 1 |
| SWITCH,ENGINE START (Ref # 27010) | 27010-0069 | 1 |
| SWITCH,CLUTCH (Ref # 27010A) | 27010-0071 | 1 |
| SWITCH,ENGINE STOP (Ref # 27010B) | 27010-0826 | 1 |
| BAND-ASSY,SWITCH (Ref # 39183) | 39183-1059 | 2 |
| HANDLE,P.SILVER (Ref # 46003) | 46003-0781-458 | 1 |
| HOLDER-HANDLE,UPP,F.S.BLACK (Ref # 46012) | 46012-0010-18R | 1 |
| HOLDER-HANDLE,LWR,F.S.BLACK (Ref # 46012A) | 46012-0412-18R | 2 |
| GRIP-ASSY,THROTTLE (Ref # 46019) | 46019-0041 | 1 |
| GRIP,LH (Ref # 46075) | 46075-0072 | 1 |
| LEVER-ASSY-GRIP,CLUTCH (Ref # 46076) | 46076-0049 | 1 |
| LEVER-GRIP,CLUTCH (Ref # 46092) | 46092-0026 | 1 |
| BOOT,LEVER HOLDER (Ref # 49006) | 49006-0080 | 1 |
| PLATE-NUMBER,L.GREEN (Ref # 58029A) | 58029-0013-290 | 1 |
| PLATE-NUMBER,B.GRAY (Ref # 58029B) | 58029-0013-67A | 1 |
| NUT,LOCK,6MM (Ref # 92019) | 92019-008 | 1 |
| WASHER,10.2X28X2 (Ref # 92022) | 92022-1088 | 2 |
| BOLT,FLANGED,6X22 (Ref # 92153) | 92153-0950 | 1 |
| BOLT,FLANGED,8X30 (Ref # 92153A) | 92153-1519 | 4 |
| BOLT,6MM (Ref # 92153B) | 92153-1897 | 1 |
| BOLT,5X20 (Ref # 92153C) | 92153-1898 | 2 |
| CLAMP,LEVER HOLDER (Ref # 92171) | 92171-1671 | 1 |
| SCREW,5X20 (Ref # 92172) | 92172-0069 | 2 |
| SCREW,CABLE ADJUST,8MM (Ref # 92172A) | 92172-0330 | 1 |
| NUT,CABLE ADJUST (Ref # 92210) | 92210-0411 | 1 |
| NUT,LOCK,10MM (Ref # 92210A) | 92210-1184 | 2 |