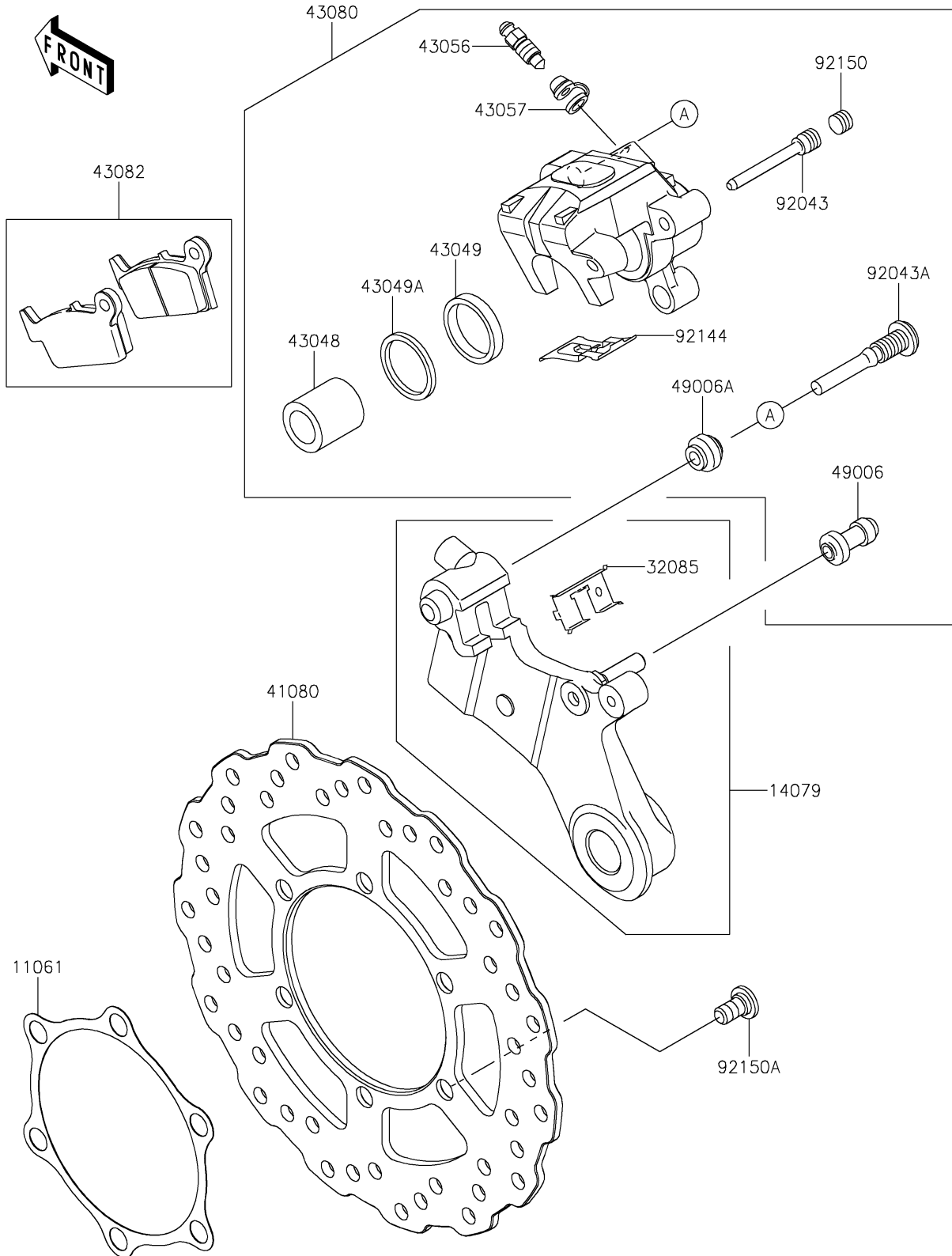


# 2025 KLX300R PARTS DIAGRAM

Rear Brake

F2294



## 2025 KLX300R PARTS LIST

### Rear Brake

| ITEM NAME                                | PART NUMBER   | QUANTITY |
|--|---------------|----------|
| GASKET,RR DISK (Ref # 11061)             | 11061-1343    | 1        |
| HOLDER-ASSY,REAR CALIPER (Ref # 14079)   | 14079-0030    | 1        |
| STOPPER,PAD (Ref # 32085)                | 32085-1386    | 1        |
| DISC,RR,SILVER (Ref # 41080)             | 41080-0116-CM | 1        |
| PISTON-CALIPER (Ref # 43048)             | 43048-1068    | 1        |
| PACKING,PISTON SEAL (Ref # 43049)        | 43049-1060    | 1        |
| PACKING,PISTON SEAL (Ref # 43049A)       | 43049-1061    | 1        |
| BREATHER-BRAKE (Ref # 43056)             | 43056-0004    | 1        |
| CAP-BREATHER (Ref # 43057)               | 43057-1001    | 1        |
| CALIPER-SUB-ASSY,RR,SILVER (Ref # 43080) | 43080-0237-GN | 1        |
| PAD-ASSY-BRAKE (Ref # 43082)             | 43082-0090    | 1        |
| BOOT,CALIPER (Ref # 49006)               | 49006-1088    | 1        |
| BOOT,CALIPER (Ref # 49006A)              | 49006-1242    | 1        |
| PIN,HANGER (Ref # 92043)                 | 92043-1507    | 1        |
| PIN (Ref # 92043A)                       | 92043-1508    | 1        |
| SPRING,PAD (Ref # 92144)                 | 92144-1819    | 1        |
| BOLT,PLUG (Ref # 92150)                  | 92150-1692    | 1        |
| BOLT,DISC PLATE,8X15 (Ref # 92150A)      | 92150-1811    | 6        |