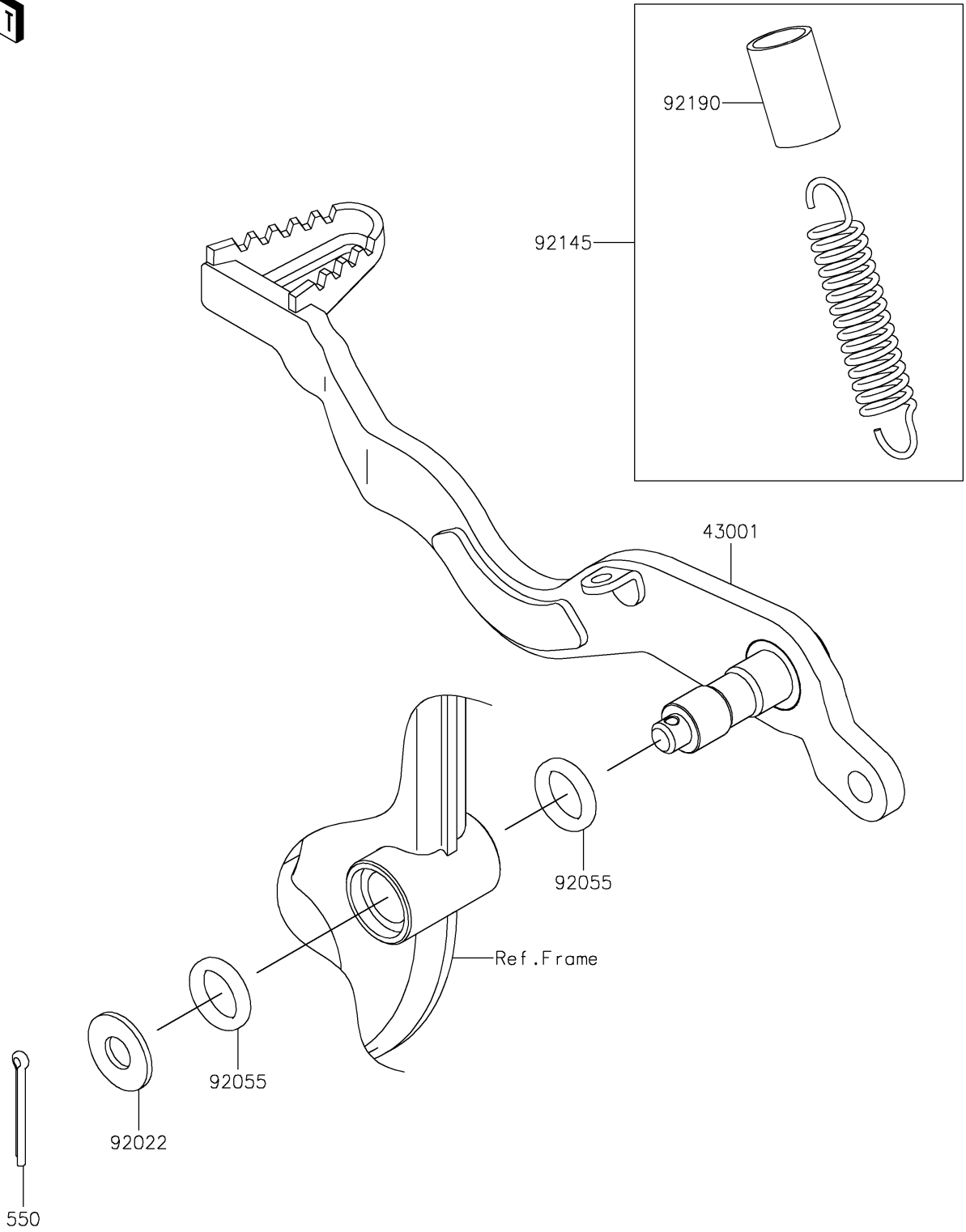


# 2025 KLX®300R PARTS DIAGRAM

Brake Pedal

F2260



## 2025 KLX®300R PARTS LIST

### Brake Pedal

ITEM NAME	PART NUMBER	QUANTITY
LEVER-BRAKE,PEDAL (Ref # 43001)	43001-0110	1
WASHER,8.5X20X1.6 (Ref # 92022)	92022-1561	1
RING-O,OD=18.5 (Ref # 92055)	92055-0168	2
SPRING,BRAKE PEDAL RETURN (Ref # 92145)	92145-0684	1
TUBE,13X16X25 (Ref # 92190)	92190-1488	1
PIN-COTTER,2.5X25 (Ref # 550)	550AA2525	1