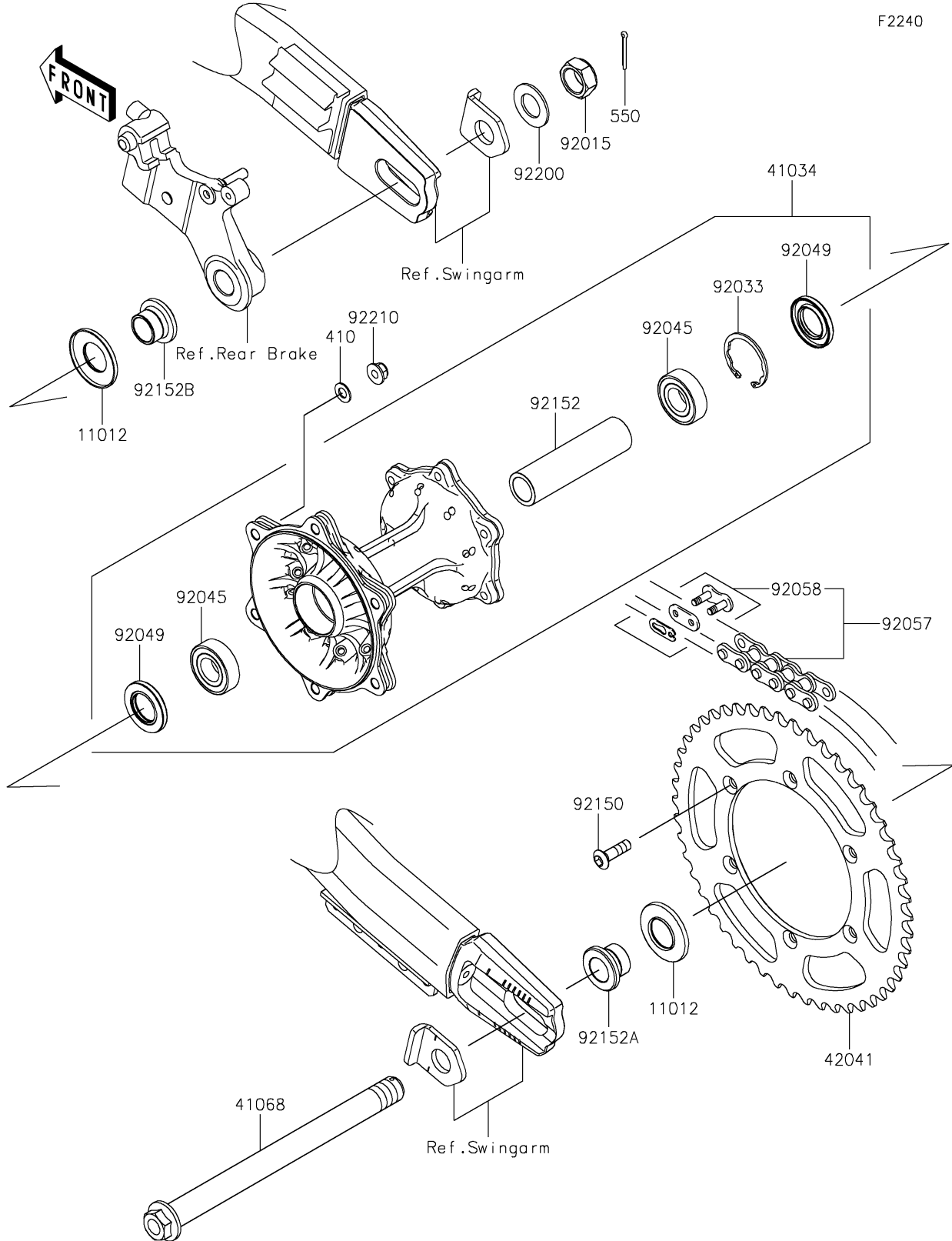


# 2025 KLX300R PARTS DIAGRAM

## Rear Hub



## 2025 KLX300R PARTS LIST

### Rear Hub

ITEM NAME	PART NUMBER	QUANTITY
CAP,AXLE (Ref # 11012)	11012-1581	2
DRUM-ASSY,REAR BRAKE (Ref # 41034)	41034-0044	1
AXLE,RR,20X250 (Ref # 41068)	41068-0602	1
SPROCKET-HUB,50T (Ref # 42041)	42041-0176	1
NUT,LOCK,20MM (Ref # 92015)	92015-1770	1
RING-SNAP,42MM (Ref # 92033)	92033-1041	1
BEARING-BALL,6004X8JRLX2/3A (Ref # 92045)	92045-1239	2
SEAL-OIL,BJNC2 25425 (Ref # 92049)	92049-1203	2
CHAIN,DRIVE,520VEX110L (Ref # 92057)	92057-0806	1
JOINT-CHAIN (Ref # 92058)	92058-0044	1
BOLT,SOCKET,8X28 (Ref # 92150)	92150-1978	6
COLLAR,REAR BRAKE DRUM,L=105 (Ref # 92152)	92152-0529	1
COLLAR,RR AXLE,LH,L=22 (Ref # 92152A)	92152-0734	1
COLLAR,RR AXLE,RH,L=20 (Ref # 92152B)	92152-0735	1
WASHER,20.2X36X2 (Ref # 92200)	92200-1146	1
NUT,FLANGED,LOCK,8MM (Ref # 92210)	92210-0493	6
WASHER-PLAIN-SMALL,8MM (Ref # 410)	410AA0800	6
PIN-COTTER,3.0X25 (Ref # 550)	550AA3025	1