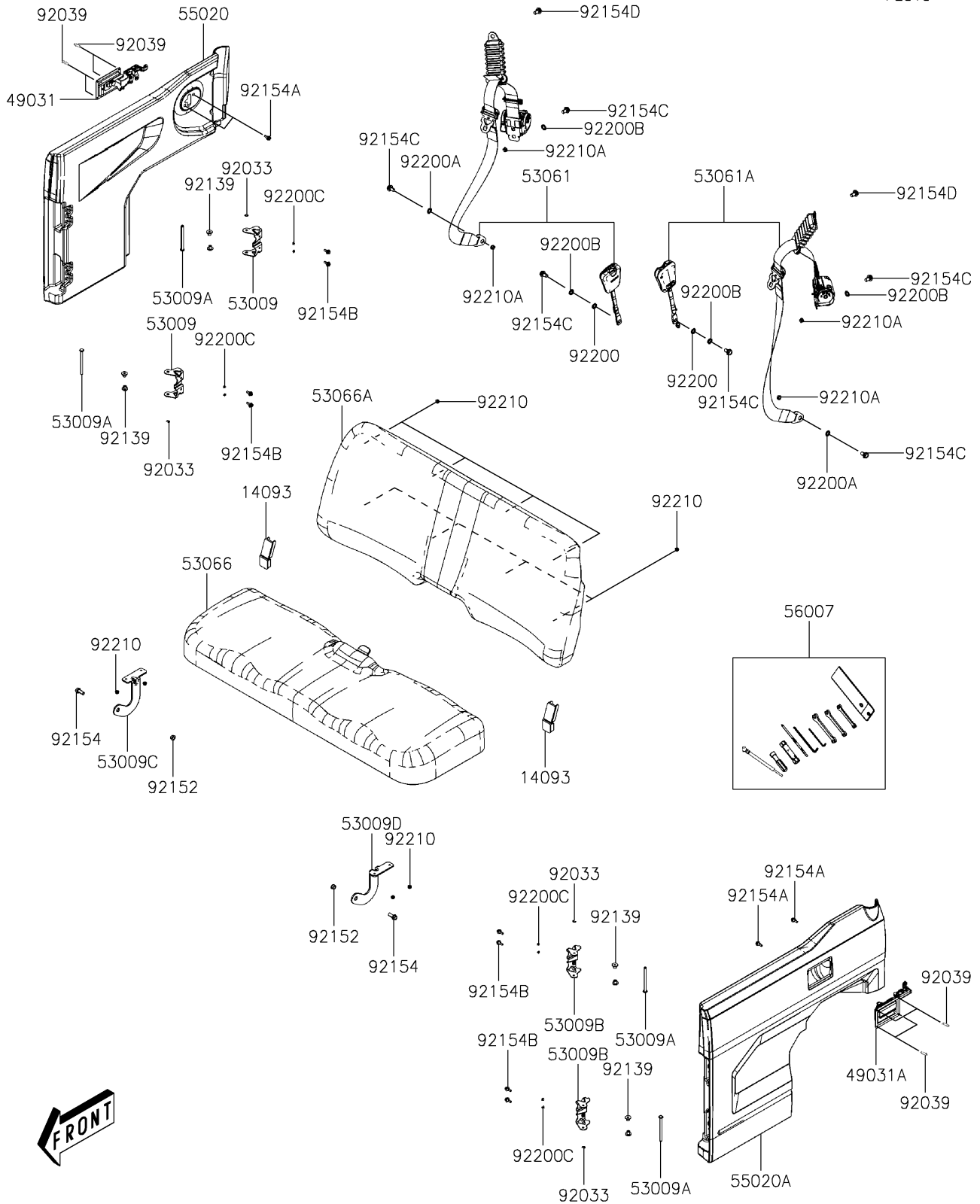


2024 Mule PRO-MX EPS LE PARTS DIAGRAM

Seat

F2510



2024 Mule PRO-MX EPS LE PARTS LIST

Seat

| ITEM NAME | PART NUMBER | QUANTITY |
|--------------------------------------|----------------|----------|
| COVER,SEAT (Ref # 14093) | 14093-Y028 | 2 |
| LATCH,RH (Ref # 49031) | 49031-Y001 | 1 |
| LATCH,LH (Ref # 49031A) | 49031-Y002 | 1 |
| HINGE,RH (Ref # 53009) | 53009-Y002 | 2 |
| HINGE (Ref # 53009A) | 53009-Y003 | 4 |
| HINGE,LH (Ref # 53009B) | 53009-Y004 | 2 |
| HINGE,SEAT,RH (Ref # 53009C) | 53009-Y005 | 1 |
| HINGE,SEAT,LH (Ref # 53009D) | 53009-Y006 | 1 |
| BELT-SEAT,RH (Ref # 53061) | 53061-Y004 | 1 |
| BELT-SEAT,LH (Ref # 53061A) | 53061-Y005 | 1 |
| SEAT-ASSY,BOTTOM (Ref # 53066) | 53066-Y006 | 1 |
| SEAT-ASSY,BACK (Ref # 53066A) | 53066-Y008 | 1 |
| GUARD,RH,S.BLACK (Ref # 55020) | 55020-Y020-933 | 1 |
| GUARD,LH,S.BLACK (Ref # 55020A) | 55020-Y021-933 | 1 |
| TOOL-KIT (Ref # 56007) | 56007-Y005 | 1 |
| RING-SNAP (Ref # 92033) | 92033-Y040 | 4 |
| RIVET,4.8X12.8 (Ref # 92039) | 92039-Y005 | 8 |
| BUSHING (Ref # 92139) | 92139-Y014 | 8 |
| COLLAR (Ref # 92152) | 92152-Y066 | 2 |
| BOLT,FLANGE,10X25 (Ref # 92154) | 92154-Y139 | 2 |
| BOLT,FLANGE,6X14 (Ref # 92154A) | 92154-Y153 | 4 |
| BOLT,FLANGE,6X18 (Ref # 92154B) | 92154-Y154 | 8 |
| BOLT (Ref # 92154C) | 92154-Y170 | 6 |
| BOLT (Ref # 92154D) | 92154-Y171 | 2 |
| WASHER,12MM (Ref # 92200) | 92200-Y003 | 2 |
| WASHER,THRUST,12X30X1 (Ref # 92200A) | 92200-Y075 | 2 |
| WASHER,12MM (Ref # 92200B) | 92200-Y096 | 4 |
| WASHER,DOOR (Ref # 92200C) | 92200-Y105 | 8 |
| NUT,6MM (Ref # 92210) | 92210-Y026 | 12 |

2024 Mule PRO-MX EPS LE PARTS LIST

Seat

| ITEM NAME | PART NUMBER | QUANTITY |
|--------------------|-------------|----------|
| NUT (Ref # 92210A) | 92210-Y081 | 4 |