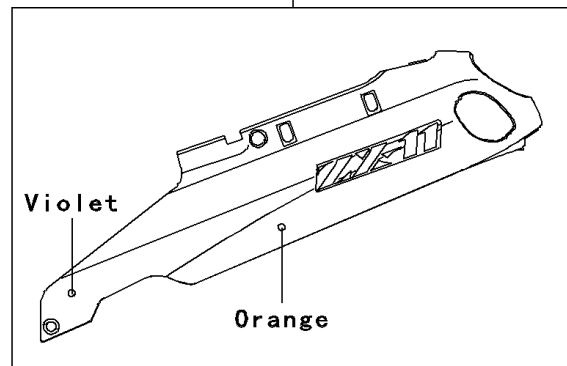
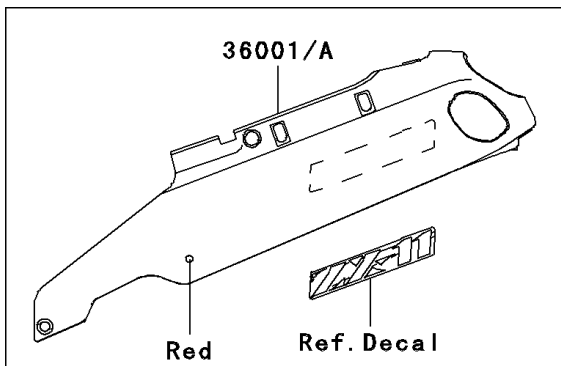
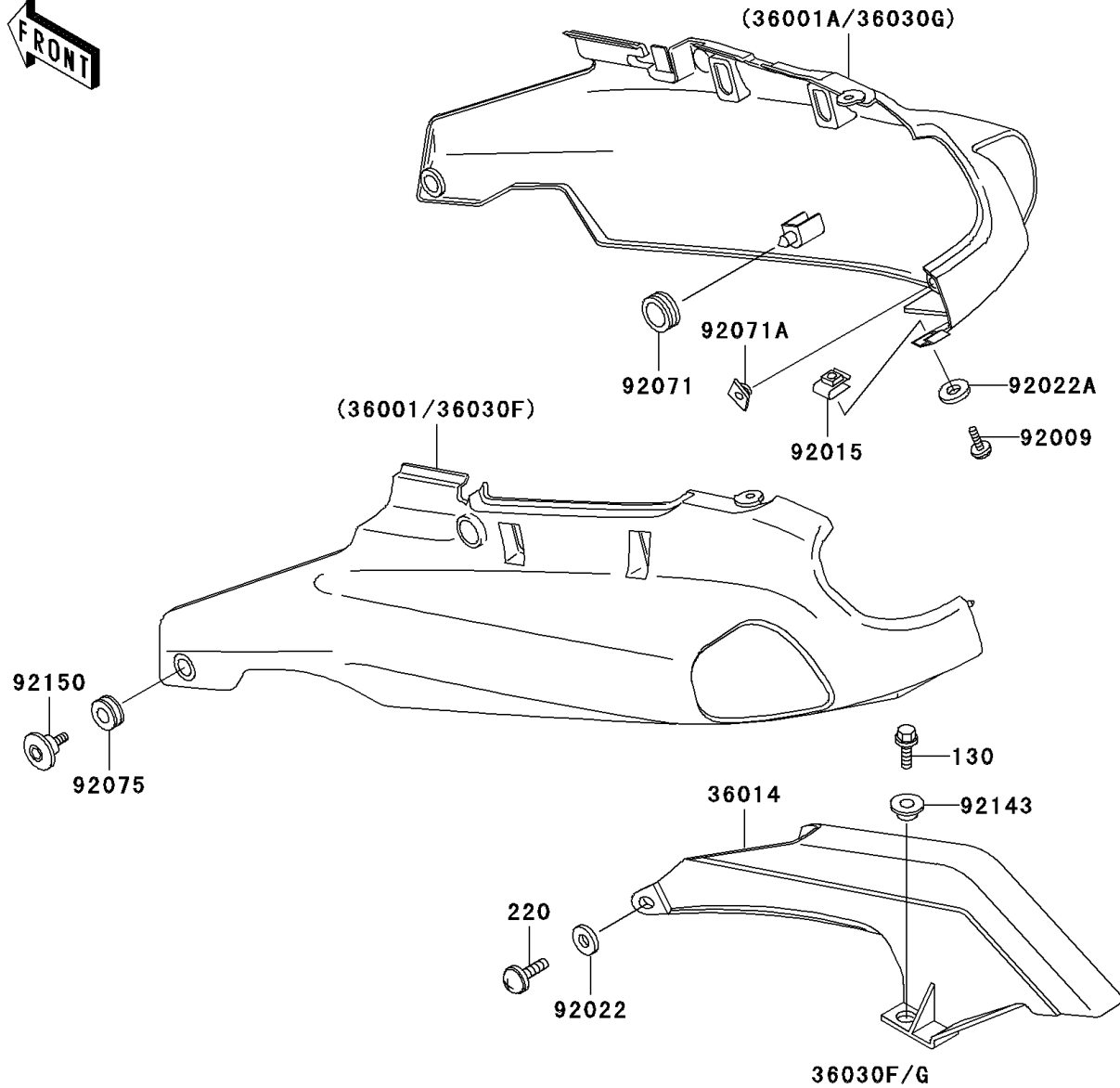


1993 Ninja® ZX™-11 PARTS DIAGRAM

Side Covers/Chain Cover(ZX1100-D1)

F2610



1993 Ninja® ZX™-11 PARTS LIST

Side Covers/Chain Cover(ZX1100-D1)

| ITEM NAME | PART NUMBER | QUANTITY |
|--|---------------|----------|
| BOLT-FLANGED,6X14,BLACK (Ref # 130) | 130J0614 | 1 |
| SCREW-PAN-CROS,6X16,BLACK (Ref # 220) | 220C0616 | 1 |
| CASE-CHAIN (Ref # 36014) | 36014-1188 | 1 |
| SCREW,5X16 (Ref # 92009) | 92009-1654 | 1 |
| NUT,5MM (Ref # 92015) | 92015-1798 | 1 |
| WASHER,6.5X20X1.6,BLACK (Ref # 92022) | 92022-1346 | 1 |
| WASHER,NYLON,5.3X11.5X1.5 (Ref # 92022A) | 92022-1521 | 1 |
| GROMMET (Ref # 92071) | 92071-1131 | 1 |
| GROMMET (Ref # 92071A) | 92071-1214 | 1 |
| DAMPER (Ref # 92075) | 92075-1634 | 1 |
| COLLAR,L=6.6 (Ref # 92143) | 92143-1088 | 1 |
| BOLT,SOCKET,6MM (Ref # 92150) | 92150-1154 | 1 |
| COVER-SIDE,LH,C.W.RED (Ref # 36001) | 36001-1501-TF | 1 |
| COVER-SIDE,RH,C.W.RED (Ref # 36001A) | 36001-1502-TF | 1 |
| COVER-SIDE,LH,VIOLET/ORANGE (Ref # 36030F) | 36030-5193-VR | 1 |
| COVER-SIDE,RH,VIOLET/ORANGE (Ref # 36030G) | 36030-5194-VR | 1 |