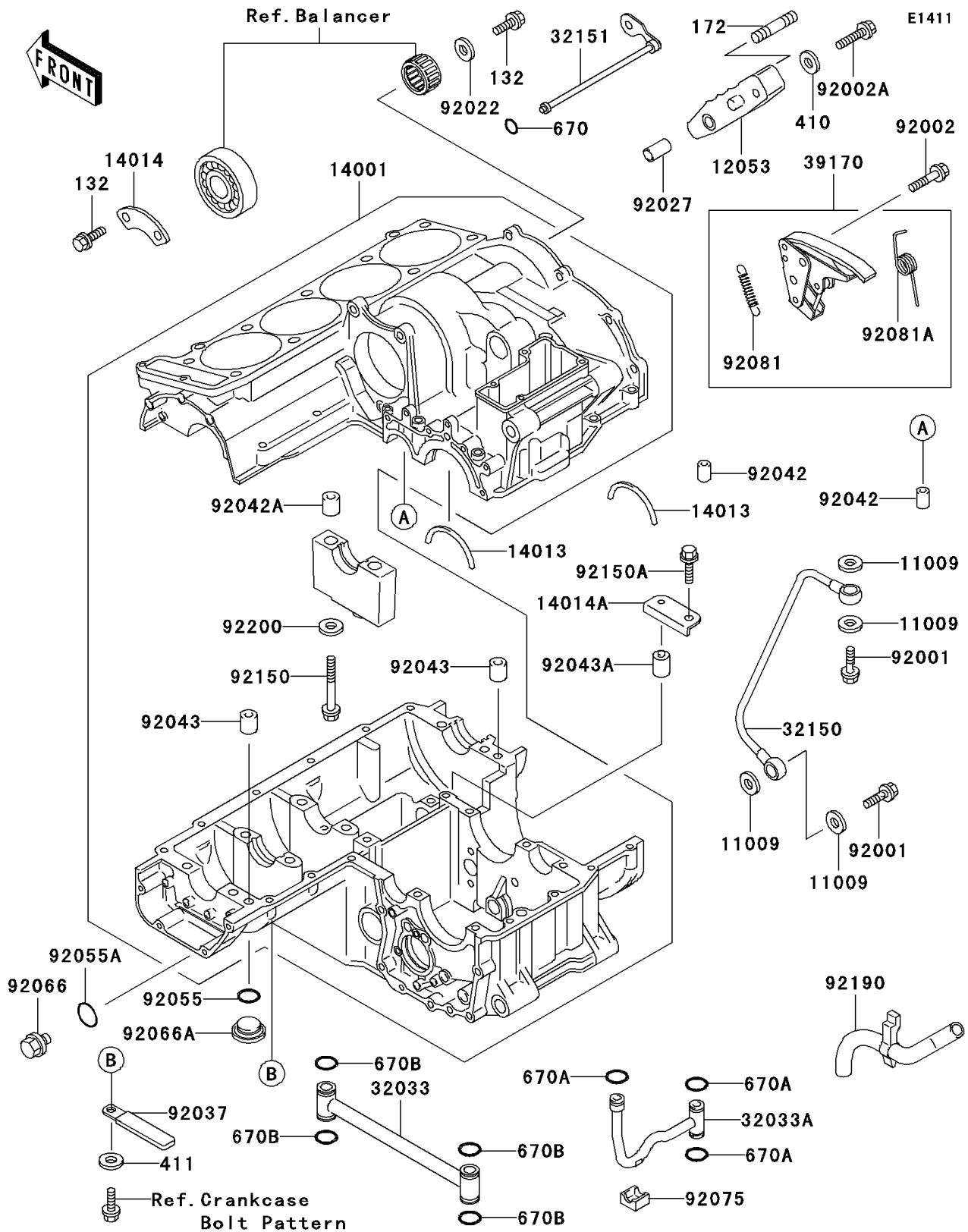


## 1993 Ninja® ZX™-11 PARTS DIAGRAM

Crankcase



## 1993 Ninja® ZX™-11 PARTS LIST

Crankcase

| ITEM NAME                          | PART NUMBER | QUANTITY |
|------------------------------------|-------------|----------|
| BOLT-FLANGED-SMALL (Ref # 132)     | 132G0612    | 1        |
| BOLT-STUD,6X16 (Ref # 172)         | 172G0616    | 1        |
| WASHER-PLAIN-SMALL,6MM (Ref # 410) | 410B0600    | 1        |
| WASHER-PLAIN,6MM,BLACK (Ref # 411) | 411F0600    | 1        |
| O RING,6MM (Ref # 670)             | 670B1506    | 1        |
| O RING,9MM (Ref # 670A)            | 670D1509    | 1        |
| O RING,16MM (Ref # 670B)           | 670D2016    | 1        |
| GASKET,12.4X17X1.5 (Ref # 11009)   | 11009-1376  | 1        |
| GUIDE-CHAIN (Ref # 12053)          | 12053-1189  | 1        |
| SET-CRANKCASE (Ref # 14001)        | 14001-1094  | 1        |
| RING-POSITION,T=1.98 (Ref # 14013) | 14013-1005  | 1        |
| PLATE-POSITION (Ref # 14014)       | 14014-1056  | 1        |
| PLATE-POSITION (Ref # 14014A)      | 14014-1101  | 1        |
| PIPE,MAIN GALLERY (Ref # 32033)    | 32033-1201  | 1        |
| PIPE (Ref # 32033A)                | 32033-1202  | 1        |
| PIPE (Ref # 32150)                 | 32150-1033  | 1        |
| PIPE,OIL (Ref # 32151)             | 32151-1482  | 1        |
| TENSIONER-COMP (Ref # 39170)       | 39170-1059  | 1        |
| BOLT,BANJO,12X23 (Ref # 92001)     | 92001-1871  | 1        |
| BOLT,6X30 (Ref # 92002)            | 92002-1534  | 1        |
| BOLT,6X25 (Ref # 92002A)           | 92002-1609  | 1        |
| WASHER,6X19.5X2 (Ref # 92022)      | 92022-1517  | 1        |
| COLLAR,6.2X8.1X15 (Ref # 92027)    | 92027-1079  | 1        |
| CLAMP,WIRING HARNESS (Ref # 92037) | 92037-1539  | 1        |
| PIN,DOWEL,6X16 (Ref # 92042)       | 92042-016   | 1        |
| PIN,DOWEL,12X14 (Ref # 92042A)     | 92042-031   | 1        |
| PIN,DOWEL,10X14 (Ref # 92043)      | 92043-1037  | 1        |
| PIN,BALANCER (Ref # 92043A)        | 92043-1281  | 1        |
| RING-O,25.7X2.4 (Ref # 92055)      | 92055-1136  | 1        |

## 1993 Ninja® ZX™-11 PARTS LIST

Crankcase

| ITEM NAME                                  | PART NUMBER | QUANTITY |
|--|-------------|----------|
| RING-O (Ref # 92055A)                      | 92055-1146  | 1        |
| PLUG,MAIN GALLERY,18X9,BLACK (Ref # 92066) | 92066-1096  | 1        |
| PLUG,25X8 (Ref # 92066A)                   | 92066-1161  | 1        |
| DAMPER,PIPE (Ref # 92075)                  | 92075-1785  | 1        |
| SPRING (Ref # 92081)                       | 92081-1668  | 1        |
| SPRING (Ref # 92081A)                      | 92081-1971  | 1        |
| BOLT,9X90 (Ref # 92150)                    | 92150-1364  | 1        |
| BOLT,6X12 (Ref # 92150A)                   | 92150-1868  | 1        |
| TUBE,BREATHER (Ref # 92190)                | 92190-1118  | 1        |
| WASHER,9.5X18X1.2 (Ref # 92200)            | 92200-1037  | 1        |