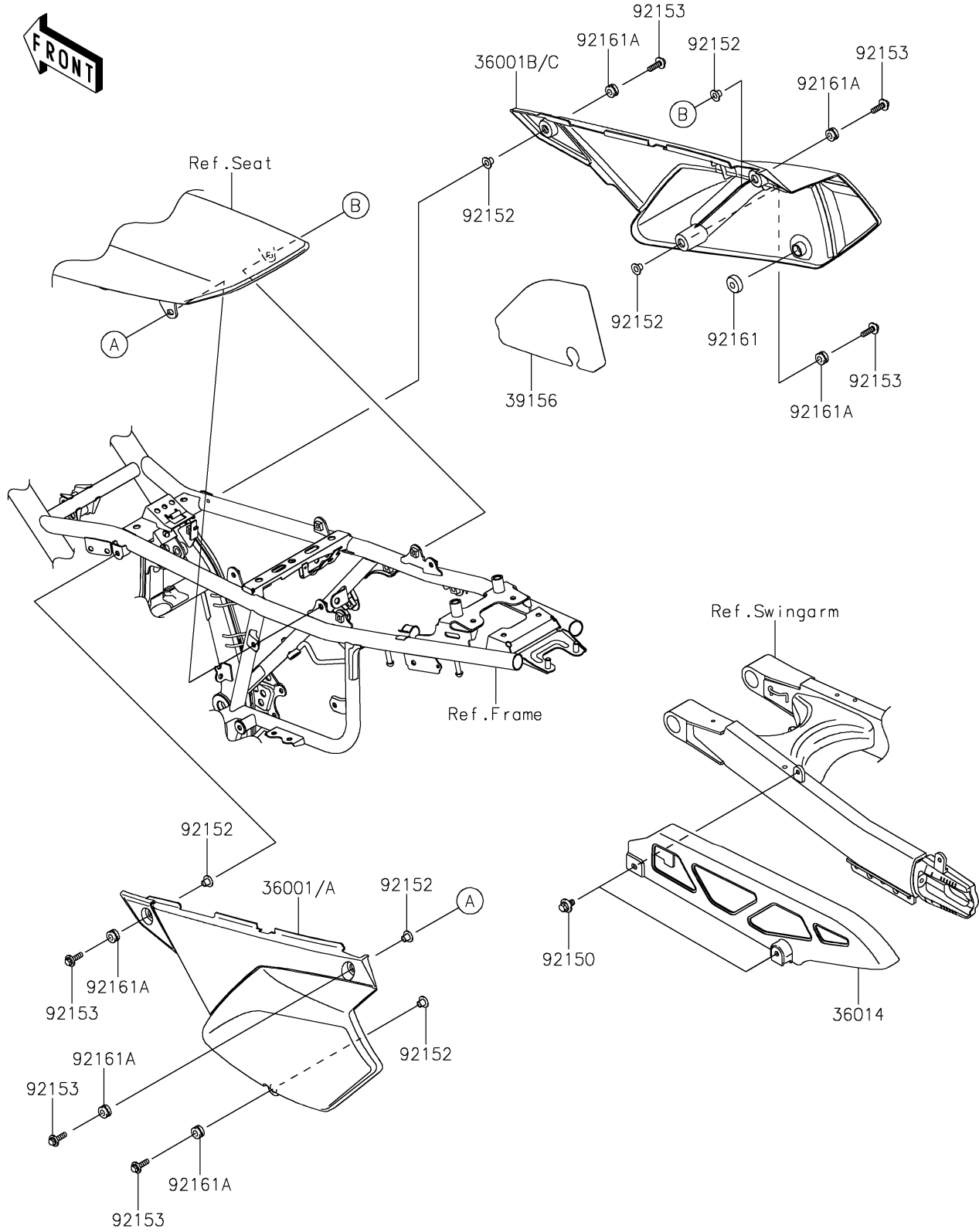


# 2022 KLX®300 PARTS DIAGRAM

## Side Covers/Chain Cover

F2610



## 2022 KLX®300 PARTS LIST

### Side Covers/Chain Cover

ITEM NAME	PART NUMBER	QUANTITY
COVER-SIDE,LH,B.WHITE (Ref # 36001)	36001-0173-266	1
COVER-SIDE,RH,B.WHITE (Ref # 36001B)	36001-0175-266	1
CASE-CHAIN (Ref # 36014)	36014-0050	1
PAD,SIDE COVER,RH (Ref # 39156)	39156-0198	1
BOLT,6X12 (Ref # 92150)	92150-1435	2
COLLAR,6.3X8.3X9.2 (Ref # 92152)	92152-0237	6
BOLT,FLANGED,6X22 (Ref # 92153)	92153-0950	6
DAMPER (Ref # 92161)	92161-0605	1
DAMPER,8X16X8.6 (Ref # 92161A)	92161-0685	6