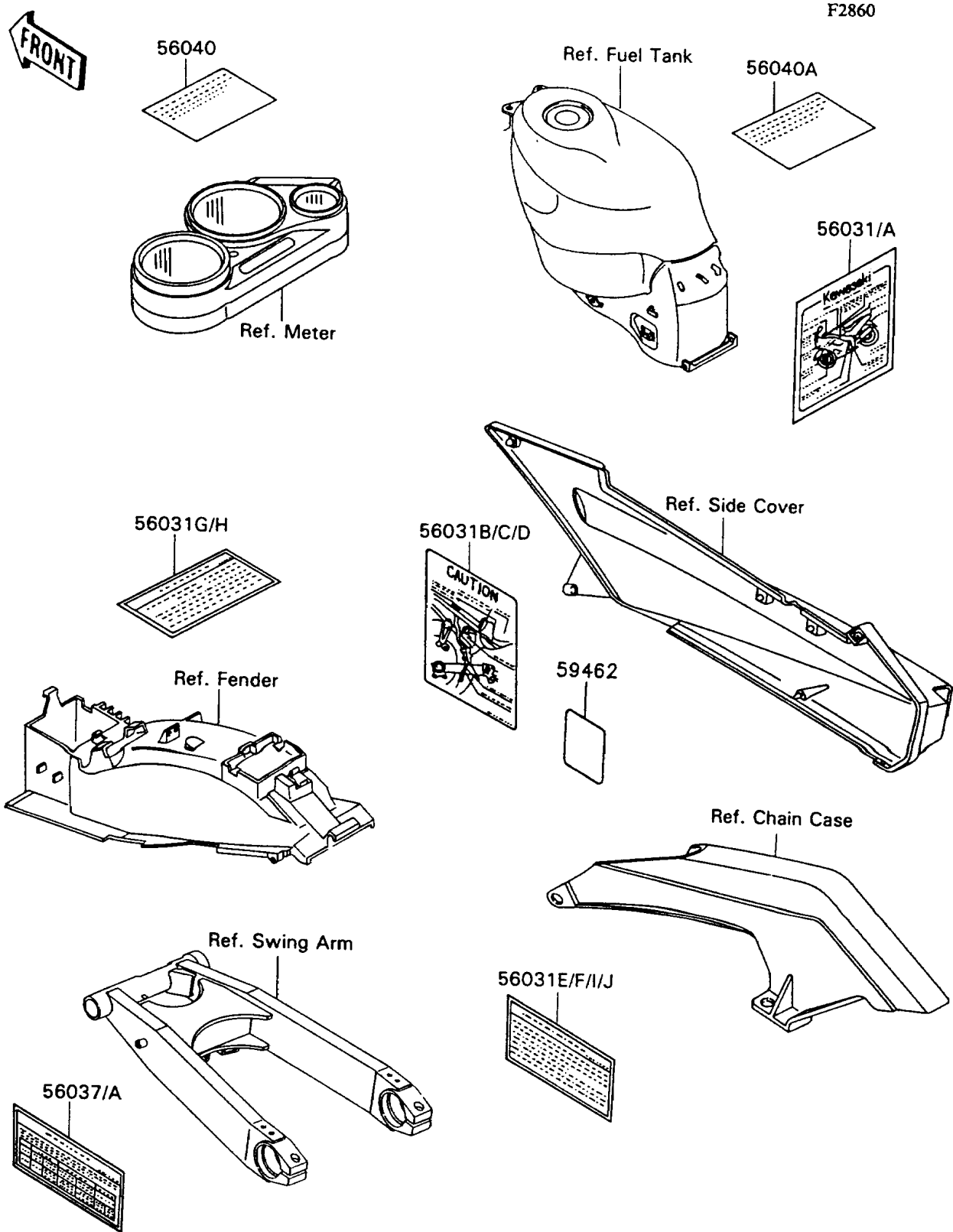


1992 Ninja® ZX™ -11 PARTS DIAGRAM

Label



1992 Ninja® ZX™ -11 PARTS LIST

Label

ITEM NAME	PART NUMBER	QUANTITY
LABEL-MANUAL,DAILY SAFETY (Ref # 56031)	56031-1717	1
LABEL-MANUAL,DAILY SAFETY (Ref # 56031A)	56031-1718	1
LABEL-MANUAL,BATTERY VENT (Ref # 56031B)	56031-1720	1
LABEL-MANUAL,BATTERY VENT (Ref # 56031C)	56031-1721	1
LABEL-MANUAL,BATTERY VENT (Ref # 56031D)	56031-1723	1
LABEL-MANUAL,OIL&OIL FILTER (Ref # 56031G)	56031-1727	1
LABEL-MANUAL,OIL&OIL FILTER (Ref # 56031H)	56031-1728	1
LABEL-MANUAL,CHAIN (Ref # 56031I)	56031-1750	1
LABEL-MANUAL,CHAIN (Ref # 56031J)	56031-1751	1
LABEL-SPECIFICATION,TIRE&LOAD (Ref # 56037)	56037-1531	1
LABEL-SPECIFICATION,TIRE&LOAD (Ref # 56037A)	56037-1533	1
LABEL-WARNING,BREAK IN CAUTION (Ref # 56040)	56040-1007	1
LABEL-WARNING,EVAPO (Ref # 56040A)	56040-1121	1
LABEL-CERTIFICATION,EVAPO ROUT (Ref # 59462)	59462-1202	1