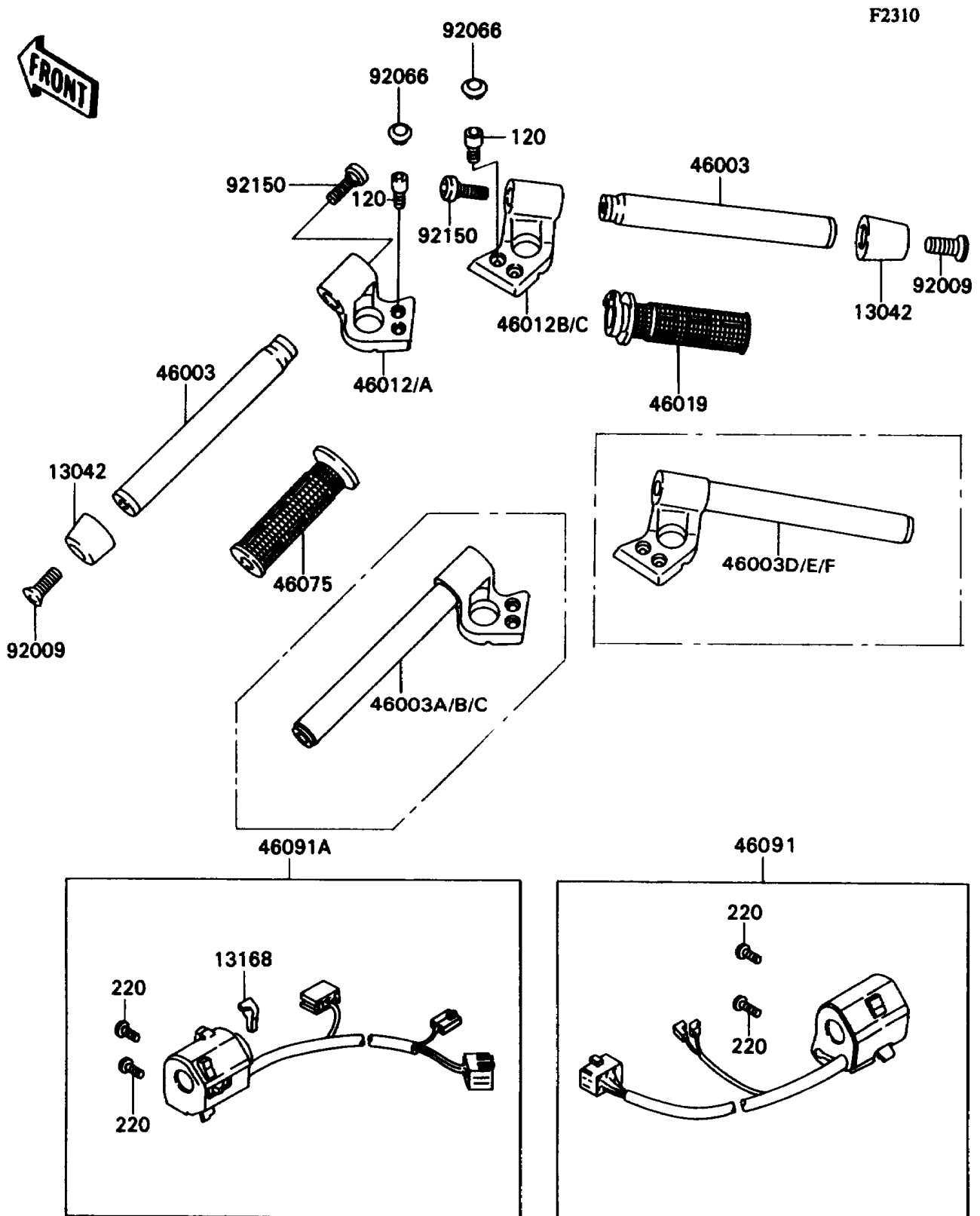


1992 Ninja® ZX™-11 PARTS DIAGRAM

Handlebar



1992 Ninja® ZX™-11 PARTS LIST

Handlebar

ITEM NAME	PART NUMBER	QUANTITY
WEIGHT,HANDLE (Ref # 13042)	13042-1005	1
LEVER,CHOKE (Ref # 13168)	13168-1448	1
HANDLE,LH,BLACK (Ref # 46003C)	46003-1336-10	1
HANDLE,RH,BLACK (Ref # 46003F)	46003-1337-10	1
GRIP-ASSY,THROTTLE (Ref # 46019)	46019-1072	1
GRIP,LH (Ref # 46075)	46075-1088	1
HOUSING-ASSY-CONTROL,RH (Ref # 46091)	46091-1533	1
HOUSING-ASSY-CONTROL,LH (Ref # 46091A)	46091-1534	1
SCREW,8X45 (Ref # 92009)	92009-1257	1
PLUG (Ref # 92066)	92066-1277	1
BOLT-SOCKET,8X20 (Ref # 120)	120S0820	1
SCREW-PAN-CROS (Ref # 220)	220C0520	1