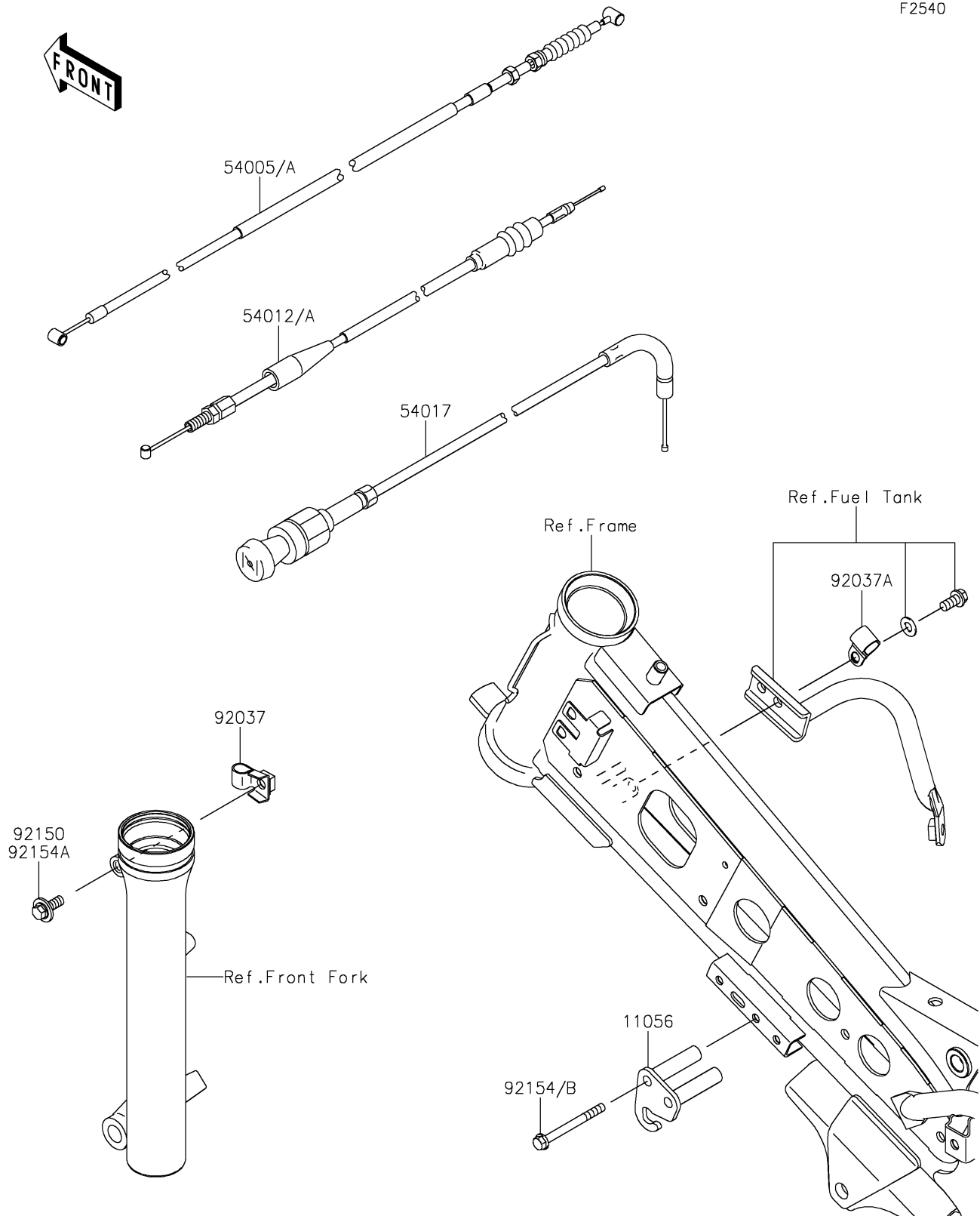


# 2023 KLX<sup>®</sup>110R

## PARTS DIAGRAM

### Cables

F2540



# 2023 KLX<sup>®</sup>110R

## PARTS LIST

### Cables

ITEM NAME	PART NUMBER	QUANTITY
BRACKET,CHOKE (Ref # 11056)	11056-0151	1
CABLE-BRAKE (Ref # 54005)	54005-0026	1
CABLE-THROTTLE (Ref # 54012)	54012-0643	1
CABLE-STARTER (Ref # 54017)	54017-1218	1
CLAMP,BRAKE CABLE (Ref # 92037)	92037-1353	1
CLAMP (Ref # 92037A)	92037-1608	1
BOLT,FLANGED,6X16 (Ref # 92150)	92150-1506	1
BOLT,FLANGED,5X53 (Ref # 92154)	92154-0374	2