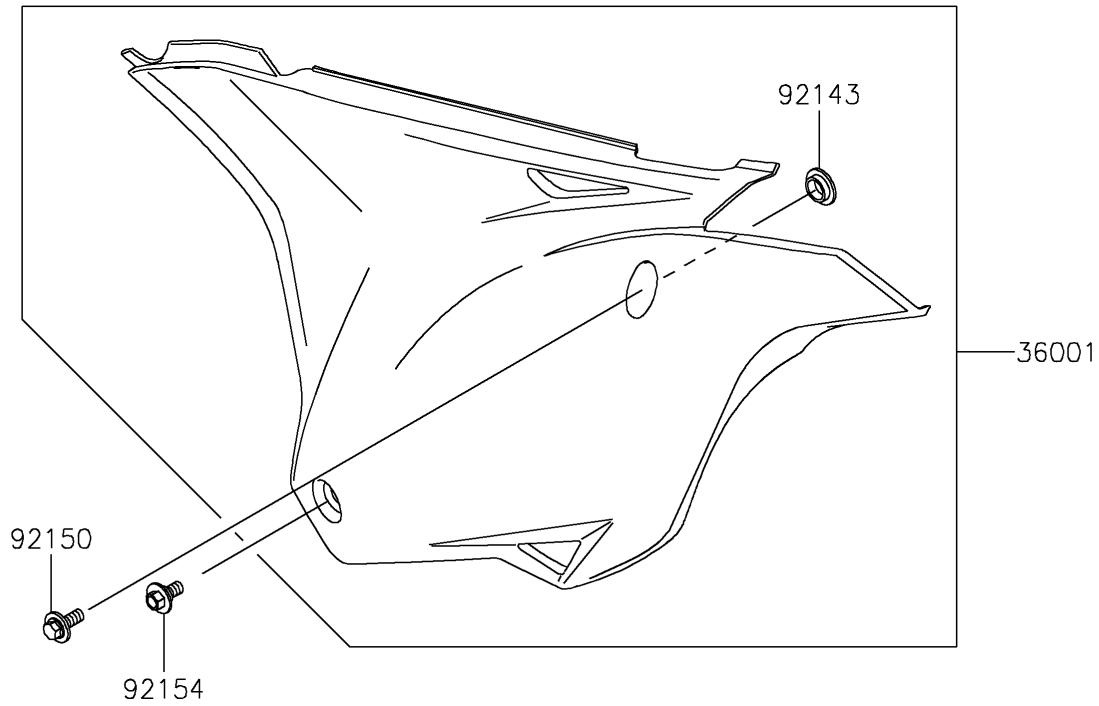
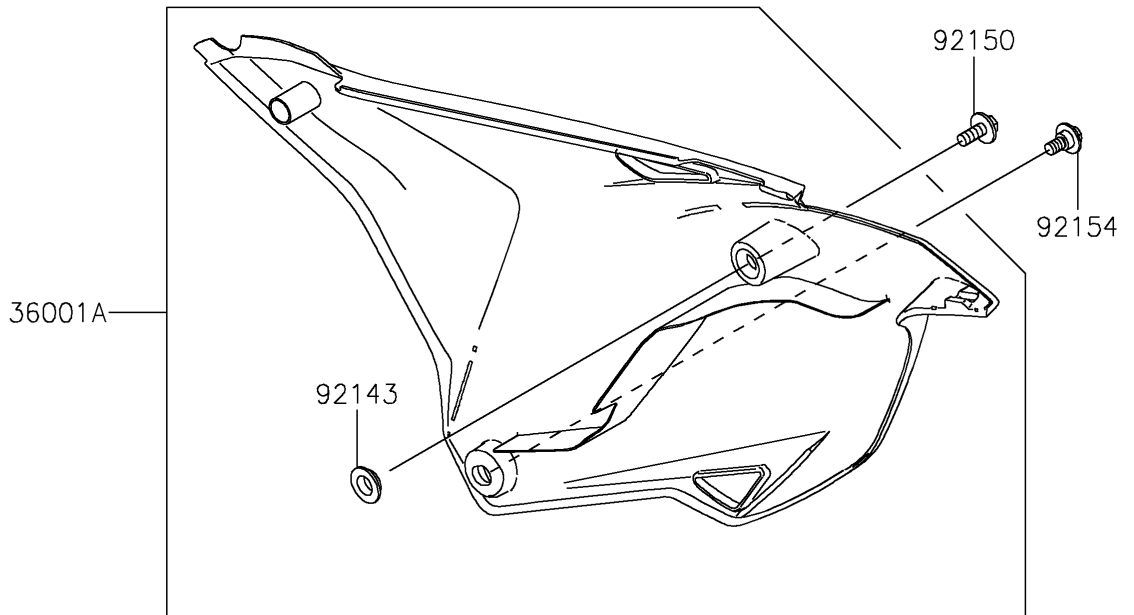


# 2023 KX™ 85 PARTS DIAGRAM

Side Covers

F2611



## 2023 KX™85 PARTS LIST

### Side Covers

ITEM NAME	PART NUMBER	QUANTITY
COVER-SIDE,LH,L.GREEN (Ref # 36001)	36001-0591-290	1
COVER-SIDE,RH,L.GREEN (Ref # 36001A)	36001-0592-290	1
COLLAR (Ref # 92143)	92143-1196	2
BOLT,FLANGED,6X16 (Ref # 92150)	92150-1506	2
BOLT,FLANGED,6X9 (Ref # 92154)	92154-0546	2