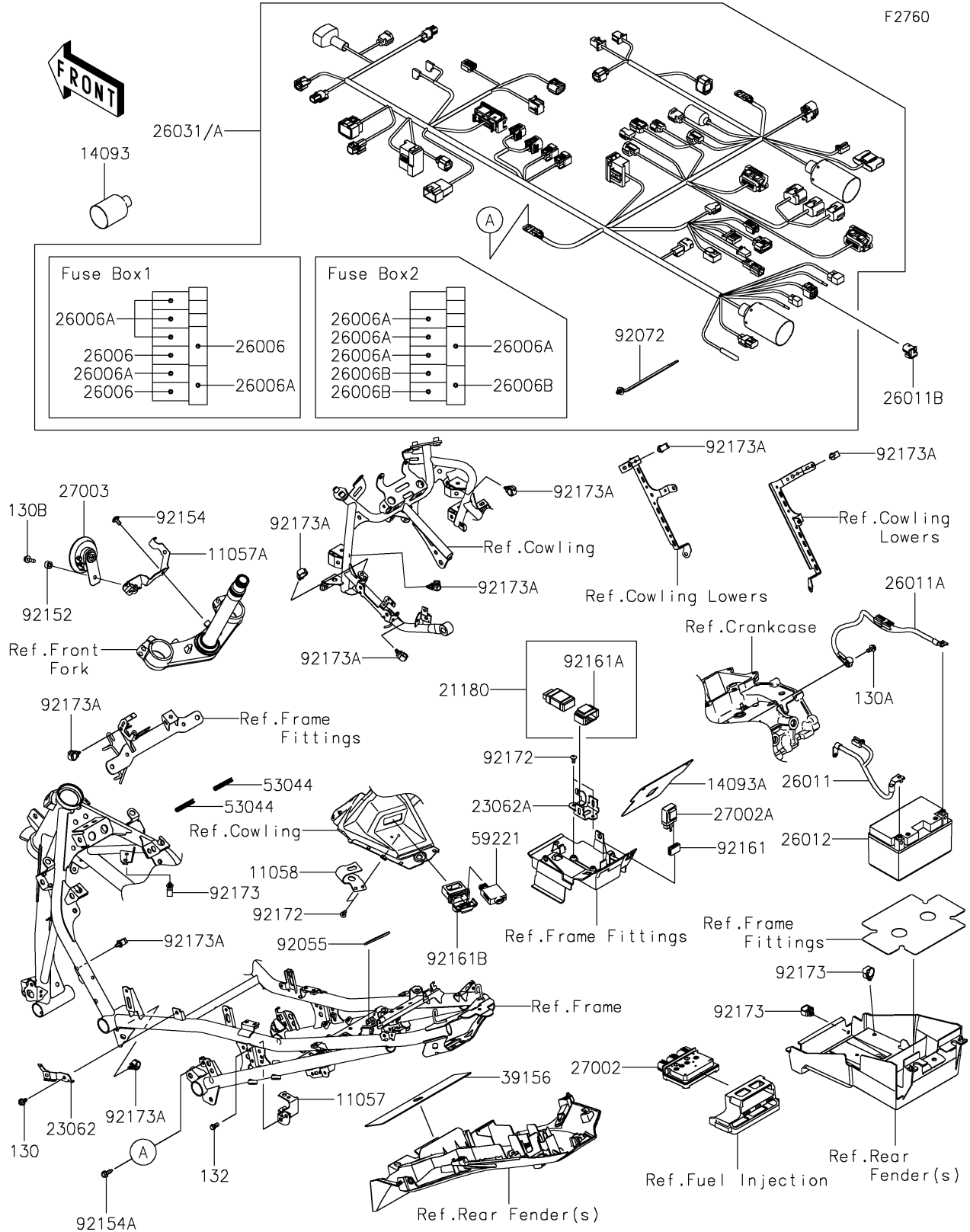


2024 Ninja 500 SE

PARTS DIAGRAM

Chassis Electrical Equipment



2024 Ninja 500 SE

PARTS LIST

Chassis Electrical Equipment

ITEM NAME	PART NUMBER	QUANTITY
BRACKET,MAGNETIC SW. (Ref # 11057)	11057-1225	1
BRACKET,HORN (Ref # 11057A)	11057-7535	1
BRACKET,USB SOCKET (Ref # 11058)	11058-1216	1
COVER,HARNESS (Ref # 14093)	14093-0720	1
COVER,RELAY (Ref # 14093A)	14093-1542	1
TRANSCEIVER,BLUETOOTH (Ref # 21180)	21180-0007	1
BRACKET-COMP,FUSE BOX (Ref # 23062)	23062-1490	1
BRACKET-COMP,TRANSCEIVER (Ref # 23062A)	23062-1491	1
FUSE,MINI BLADE,15A,BLUE (Ref # 26006)	26006-0001	3
FUSE,MINI BLADE,10A,RED (Ref # 26006A)	26006-1078	9
FUSE,MINI BLADE,20A,YELLOW (Ref # 26006B)	26006-1079	3
WIRE-LEAD,BATTERY(+) (Ref # 26011)	26011-0974	1
WIRE-LEAD,BATTERY(-) (Ref # 26011A)	26011-0975	1
WIRE-LEAD,DIAG CONNECTOR (Ref # 26011B)	26011-1901	1
BATTERY,YTZ10,12V 8.6AH (Ref # 26012)	26012-0689	1
HARNESS,MAIN (Ref # 26031)	26031-4300	1
HARNESS,MAIN (Ref # 26031A)	26031-4302	1
RELAY-ASSY (Ref # 27002)	27002-0061	1
RELAY-ASSY,SIGNAL LAMP (Ref # 27002A)	27002-0062	1
HORN (Ref # 27003)	27003-0065	1
PAD,60X250X1 (Ref # 39156)	39156-2219	1
TRIM,45MM (Ref # 53044)	53044-0644	2
CONNECTOR-CORD,USB TYPE-C (Ref # 59221)	59221-0022	1
RING-O,50MM (Ref # 92055)	92055-0954	1
BAND,OS170-FT7(BLACK) (Ref # 92072)	92072-1414	AR
COLLAR,6.5X14X8 (Ref # 92152)	92152-2352	1
BOLT,SOCKET,6X12 (Ref # 92154)	92154-2355	2
BOLT,FLANGED,6X18 (Ref # 92154A)	92154-4008	2
DAMPER,15X25X8.5 (Ref # 92161)	92161-1443	1

2024 Ninja 500 SE

PARTS LIST

Chassis Electrical Equipment

ITEM NAME	PART NUMBER	QUANTITY
DAMPER (Ref # 92161A)	92161-2516	1
DAMPER (Ref # 92161B)	92161-2526	1
SCREW,5X12 (Ref # 92172)	92172-0821	4
CLAMP,HOLDER CLIP (Ref # 92173)	92173-0868	3
CLAMP (Ref # 92173A)	92173-1951	9
BOLT-FLANGED,6X10 (Ref # 130)	130BA0610	1
BOLT-FLANGED,6X12 (Ref # 130A)	130BA0612	1
BOLT-FLANGED,6X18 (Ref # 130B)	130BA0618	1
BOLT-FLANGED-SMALL,6X12 (Ref # 132)	132BA0612	1