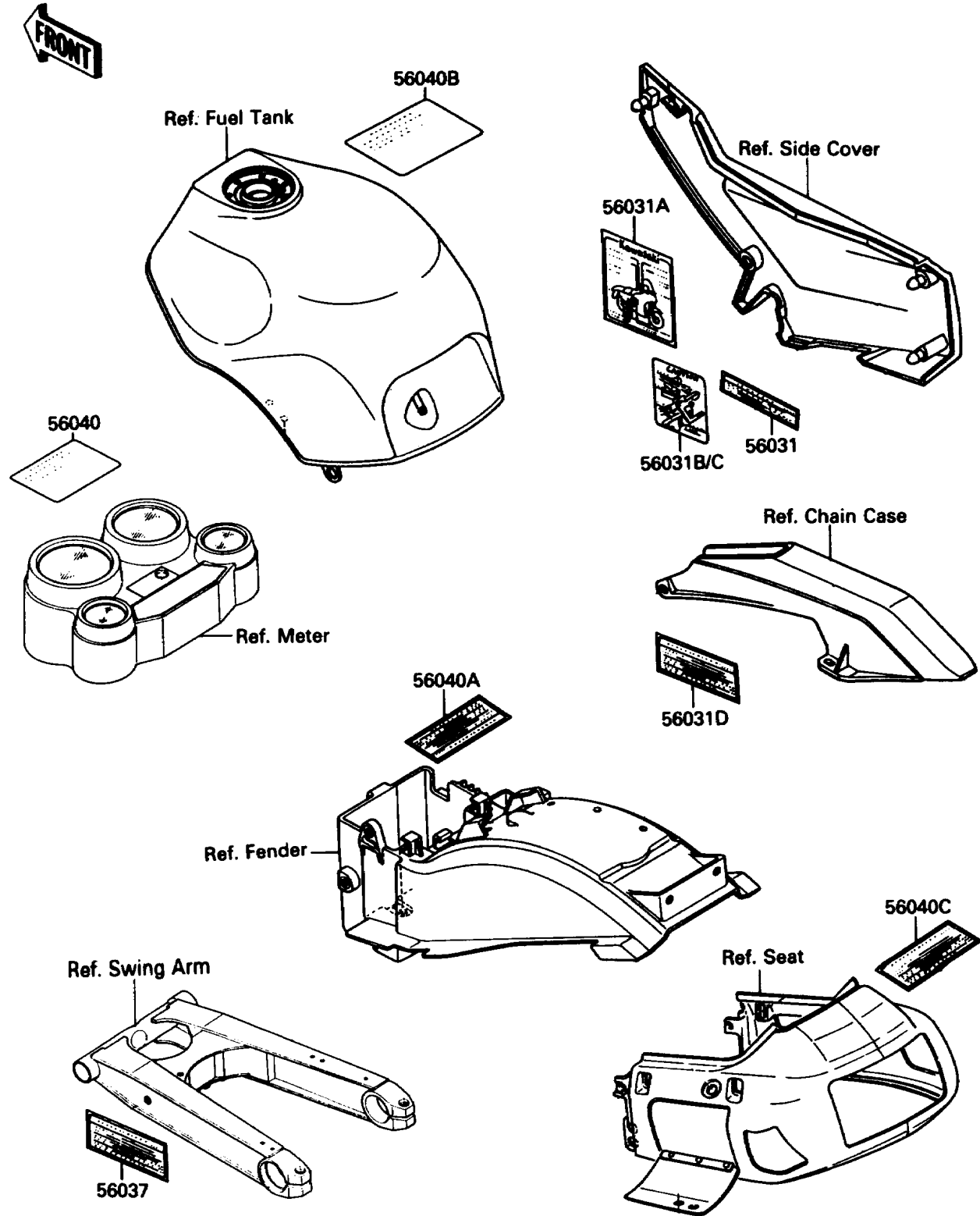


1989 Ninja® ZX™-10 PARTS DIAGRAM

Labels

F2860-0617



1989 Ninja® ZX™-10 PARTS LIST

Labels

ITEM NAME	PART NUMBER	QUANTITY
LABEL-MANUAL,OIL & OIL FILTER (Ref # 56031)	56031-1428	1
LABEL-MANUAL,DAILY SAFETY (Ref # 56031A)	56031-1515	1
LABEL-MANUAL,CHAIN (Ref # 56031D)	56031-1598	1
LABEL-SPECIFICATION,TIRE&LOAD (Ref # 56037)	56037-1417	1
LABEL-WARNING,AIR INTAKE (Ref # 56040A)	56040-1014	1
LABEL-WARNING,TAIL GRIP BOLT (Ref # 56040C)	56040-1252	1
LABEL-MANUAL,BATTERY VENT (Ref # 56031B)	56031-1595	1
LABEL-MANUAL,BATTERY VENT (Ref # 56031C)	56031-1596	1
LABEL-WARNING,BREAK IN CAUTION (Ref # 56040)	56040-1007	1
LABEL-WARNING,EVAPO (Ref # 56040B)	56040-1121	1