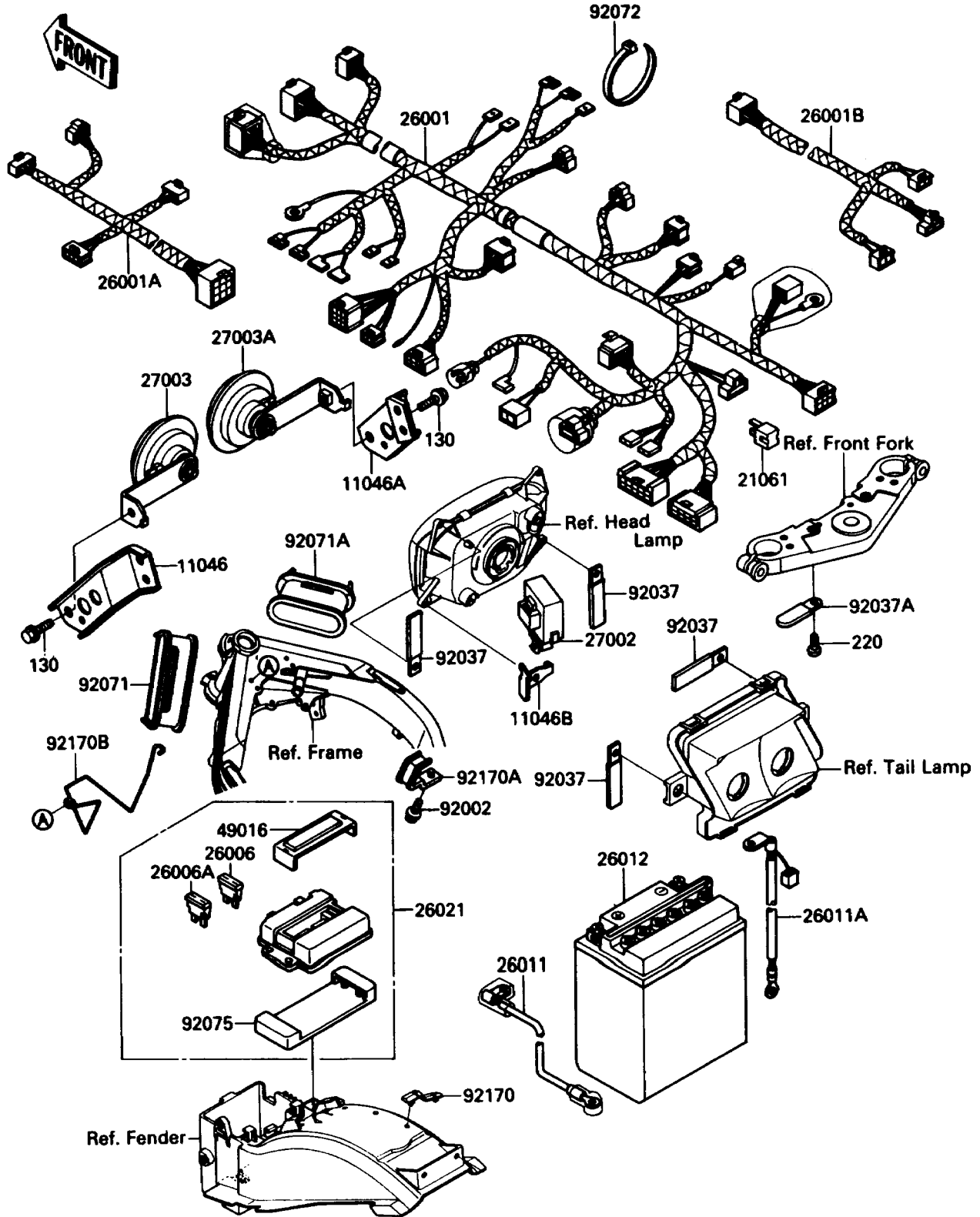


1989 Ninja® ZX™-10 PARTS DIAGRAM

Chassis Electrical Equipment

F2760-0406



1989 Ninja® ZX™-10 PARTS LIST

Chassis Electrical Equipment

ITEM NAME	PART NUMBER	QUANTITY
-----------	-------------	----------