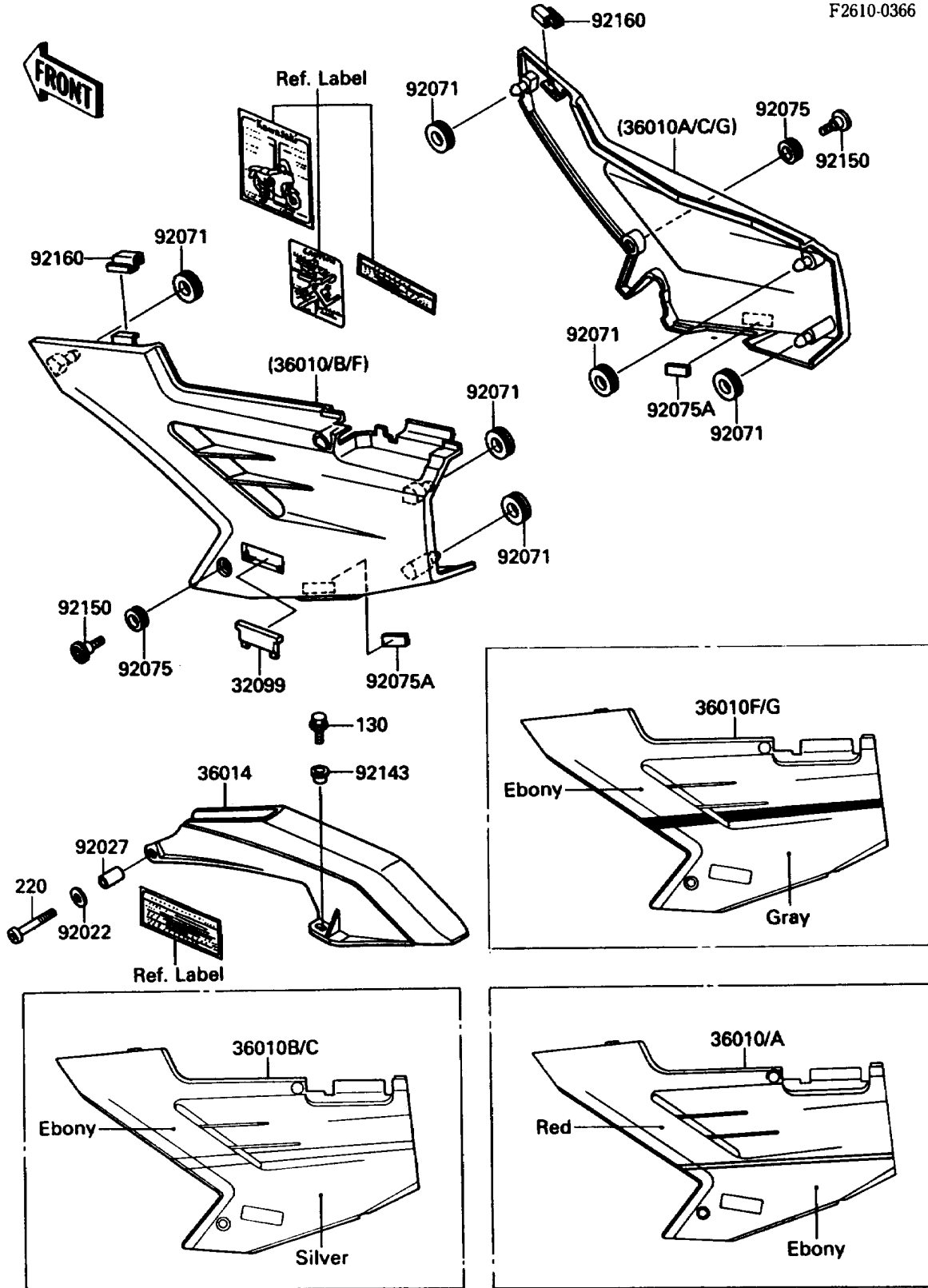


1989 Ninja® ZX™ -10 PARTS DIAGRAM

Side Covers/Chain Cover

F2610-0366



1989 Ninja® ZX™-10 PARTS LIST

Side Covers/Chain Cover

| ITEM NAME | PART NUMBER | QUANTITY |
|---|---------------|----------|
| BOLT-FLANGED,6X14,BLACK (Ref # 130) | 130J0614 | 1 |
| SCREW-PAN-CROS,6X35,BLACK (Ref # 220) | 220C0635 | 1 |
| CASE,SIDE COVER (Ref # 32099) | 32099-1116 | 1 |
| COVER-SIDE,LH,EBONY/GRAY (Ref # 36010F) | 36010-5103-T4 | 1 |
| COVER-SIDE,RH,EBONY/GRAY (Ref # 36010G) | 36010-5104-T4 | 1 |
| CASE-CHAIN (Ref # 36014) | 36014-1151 | 1 |
| WASHER,6.5X20X1.6,BLACK (Ref # 92022) | 92022-1346 | 1 |
| COLLAR,6.8X10X20 (Ref # 92027) | 92027-1856 | 1 |
| GROMMET (Ref # 92071) | 92071-056 | 6 |
| DAMPER (Ref # 92075) | 92075-1634 | 2 |
| DAMPER (Ref # 92075A) | 92075-1902 | 2 |
| COLLAR,L=6.6 (Ref # 92143) | 92143-1088 | 1 |
| BOLT,SOCKET,6MM (Ref # 92150) | 92150-1154 | 2 |
| DAMPER (Ref # 92160) | 92160-1085 | 2 |