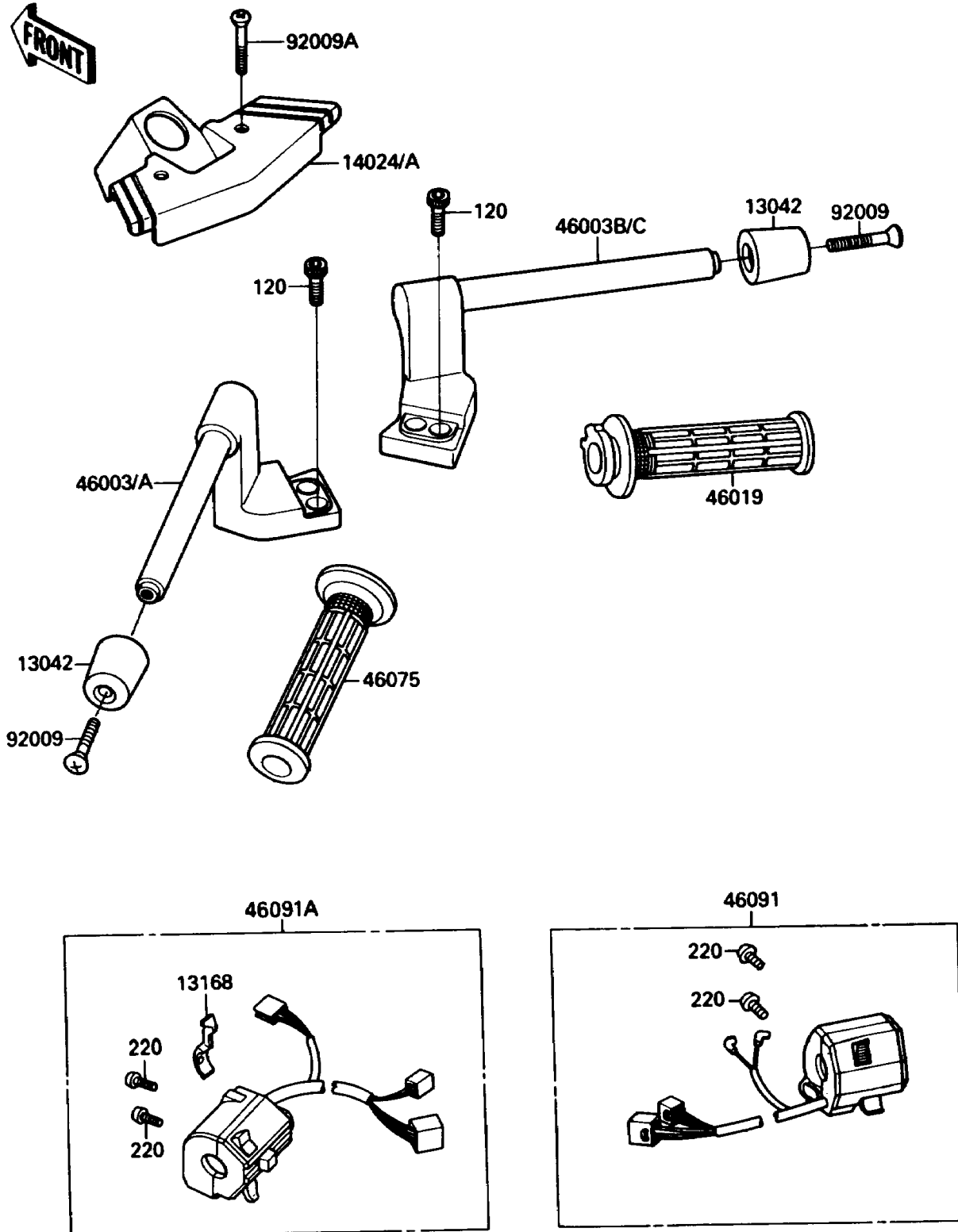


# 1989 Ninja® ZX™-10 PARTS DIAGRAM

Handlebar

F2310-0434



# 1989 Ninja® ZX™-10 PARTS LIST

Handlebar

ITEM NAME	PART NUMBER	QUANTITY
-----------	-------------	----------