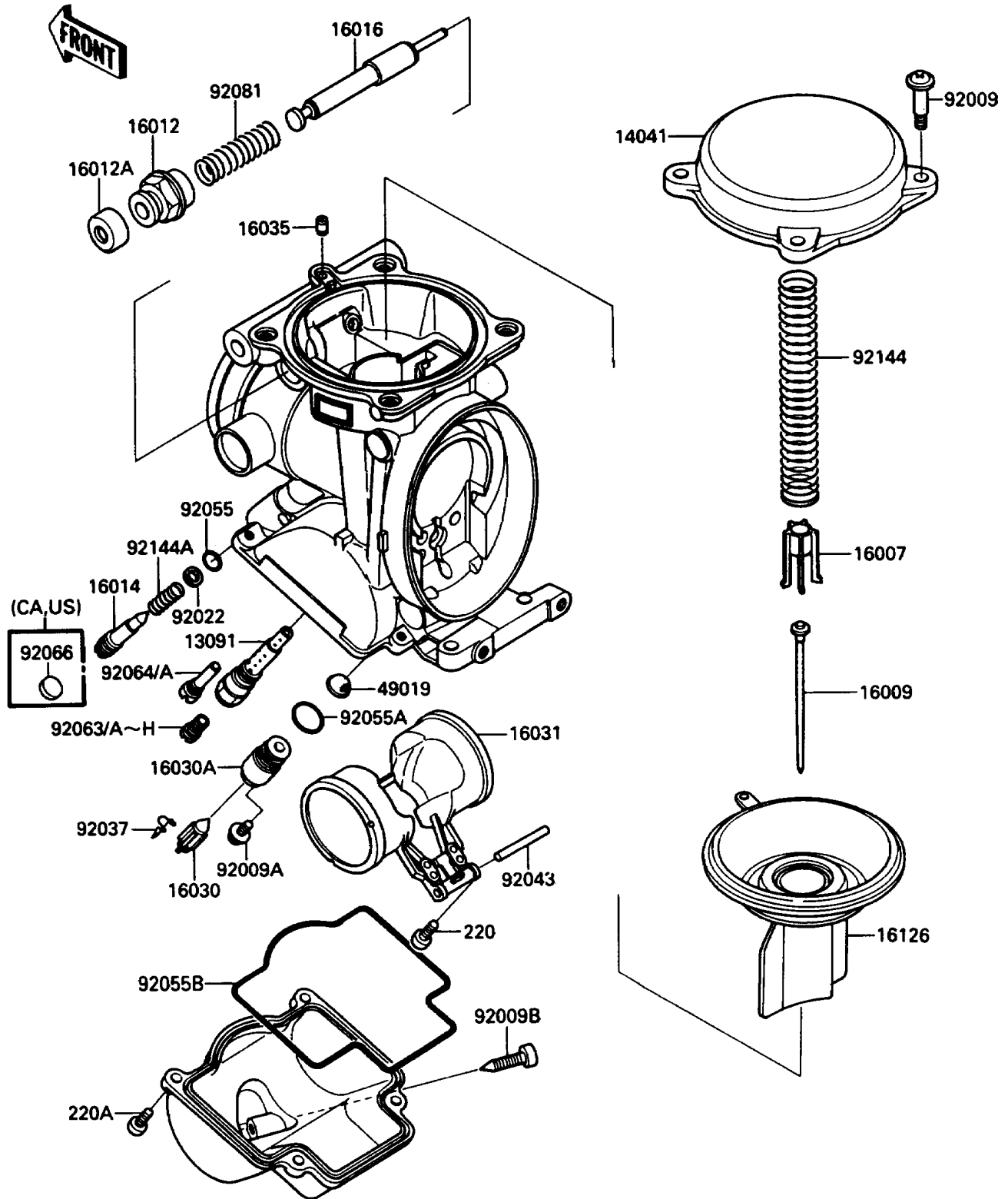


1989 Ninja® ZX™-10 PARTS DIAGRAM

Carburetor Parts

E1612-0122



1989 Ninja® ZX™-10 PARTS LIST

Carburetor Parts

| ITEM NAME | PART NUMBER | QUANTITY |
|--------------------------------------|-------------|----------|
| HOLDER,NEEDLE JET (Ref # 13091) | 13091-1579 | 4 |
| CAP-CHAMBER,MIXING (Ref # 14041) | 14041-1091 | 4 |
| SEAT-SPRING,VALVE (Ref # 16007) | 16007-1117 | 4 |
| NEEDLE-JET,N14C (Ref # 16009) | 16009-1477 | 4 |
| CAP-STARTER PLUNGER (Ref # 16012) | 16012-1051 | 4 |
| CAP-STARTER PLUNGER (Ref # 16012A) | 16012-1052 | 4 |
| SCREW-PILOT AIR (Ref # 16014) | 16014-1064 | 4 |
| PLUNGER,STARTER (Ref # 16016) | 16016-1061 | 4 |
| VALVE-FLOAT (Ref # 16030) | 16030-1007 | 4 |
| SEAT-VALVE,FLOAT (Ref # 16030A) | 16030-1068 | 4 |
| FLOAT (Ref # 16031) | 16031-1070 | 4 |
| JET-AIR,LEAK (Ref # 16035) | 16035-1055 | 4 |
| VALVE,VACUUM (Ref # 16126) | 16126-1214 | 4 |
| FILTER-FUEL,STRAINER (Ref # 49019) | 49019-3707 | 4 |
| SCREW,4X4.4 (Ref # 92009) | 92009-1549 | 15 |
| SCREW,4X8 (Ref # 92009A) | 92009-1550 | 4 |
| SCREW,DRAIN,M6X0.75 (Ref # 92009B) | 92009-1551 | 4 |
| WASHER,PLAIN (Ref # 92022) | 92022-1003 | 4 |
| CLAMP,FLOAT VALVE (Ref # 92037) | 16044-007 | 4 |
| PIN,FLOAT (Ref # 92043) | 92043-1207 | 4 |
| RING-O,PILOT ADJUST (Ref # 92055) | 92055-1002 | 4 |
| RING-O,VALVE SEAT (Ref # 92055A) | 92055-1425 | 4 |
| RING-O,FLOAT CHAMBER (Ref # 92055B) | 92055-1426 | 4 |
| JET-MAIN,#135 (Ref # 92063B) | 92063-1014 | 4 |
| SCREW-PAN-CROS (Ref # 220) | 220D0408 | 4 |
| SCREW-PAN-CROS (Ref # 220A) | 220D0410 | 16 |
| JET-MAIN,#132 (Ref # 92063H) | 92063-1076 | 4 |
| JET-PILOT,#38 (Ref # 92064A) | 92064-1119 | 4 |
| SPRING,STARTER PLUNGER (Ref # 92081) | 92081-1761 | 4 |

1989 Ninja® ZX™-10 PARTS LIST

Carburetor Parts

| ITEM NAME | PART NUMBER | QUANTITY |
|--|-------------|----------|
| SPRING,VACUUM VALVE (Ref # 92144) | 92144-1219 | 4 |
| SPRING,PILOT AIR SCREW (Ref # 92144A) | 92144-1349 | 4 |
| JET-MAIN,#140 (Ref # 92063) | 92063-1013 | 4 |
| JET-MAIN,#135 (Ref # 92063A) | 92063-1014 | 4 |
| JET-MAIN,#138 (Ref # 92063C) | 92063-1015 | 4 |
| JET-MAIN,2ND,#125 (Ref # 92063D) | 92063-1069 | 4 |
| JET-MAIN,2ND,#128 (Ref # 92063E) | 92063-1074 | 4 |
| JET-MAIN,#130 (Ref # 92063F) | 92063-1075 | 4 |
| JET-MAIN,#130 (Ref # 92063G) | 92063-1075 | 4 |
| JET-PILOT,#35 (Ref # 92064) | 92064-1101 | 4 |
| PLUG,PILOT AIR SCREW,6.9X2 (Ref # 92066) | 92066-1051 | 4 |