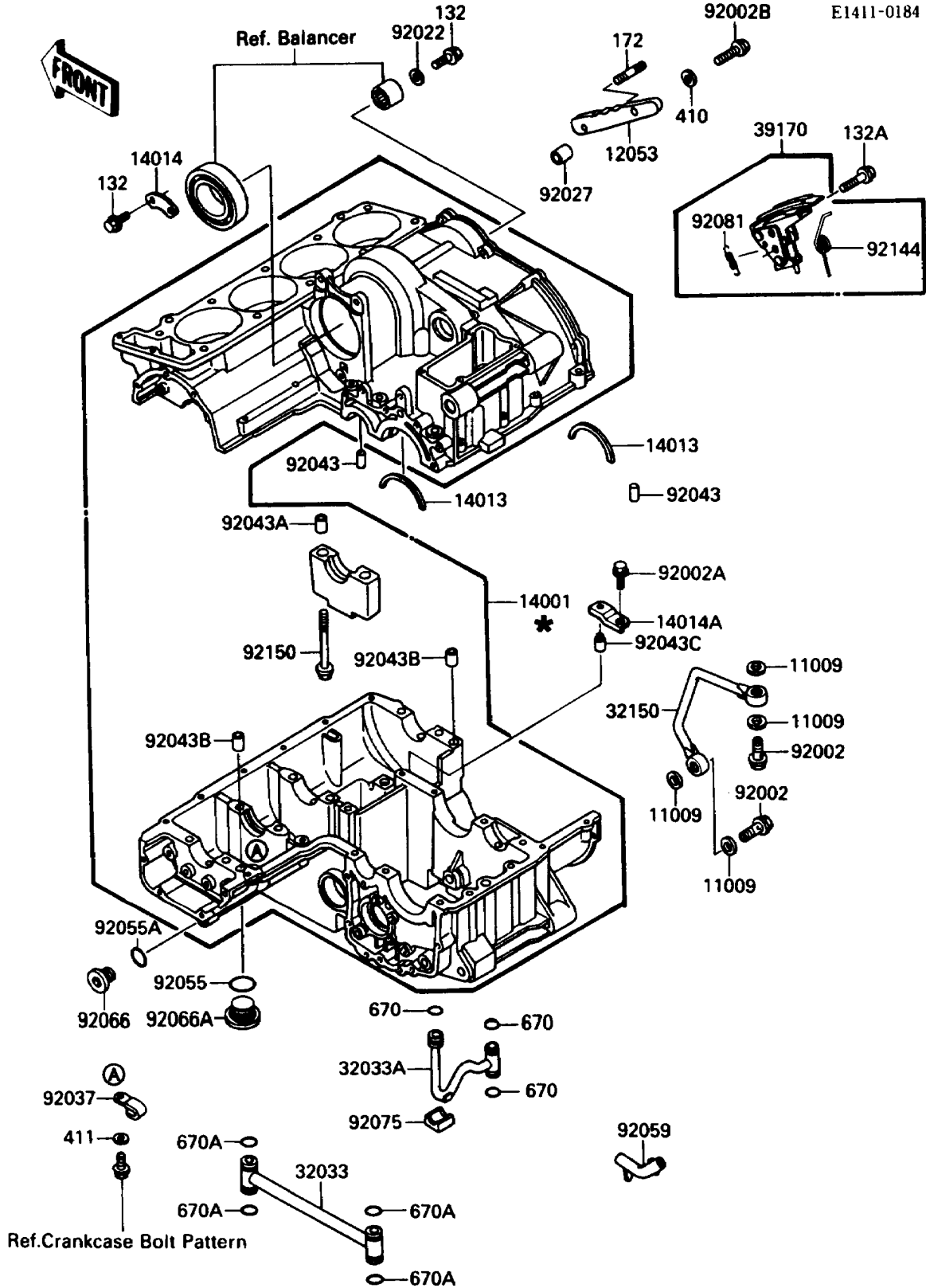


# 1989 Ninja® ZX™-10 PARTS DIAGRAM

## Crankcase



# 1989 Ninja® ZX™-10 PARTS LIST

Crankcase

ITEM NAME	PART NUMBER	QUANTITY
-----------	-------------	----------