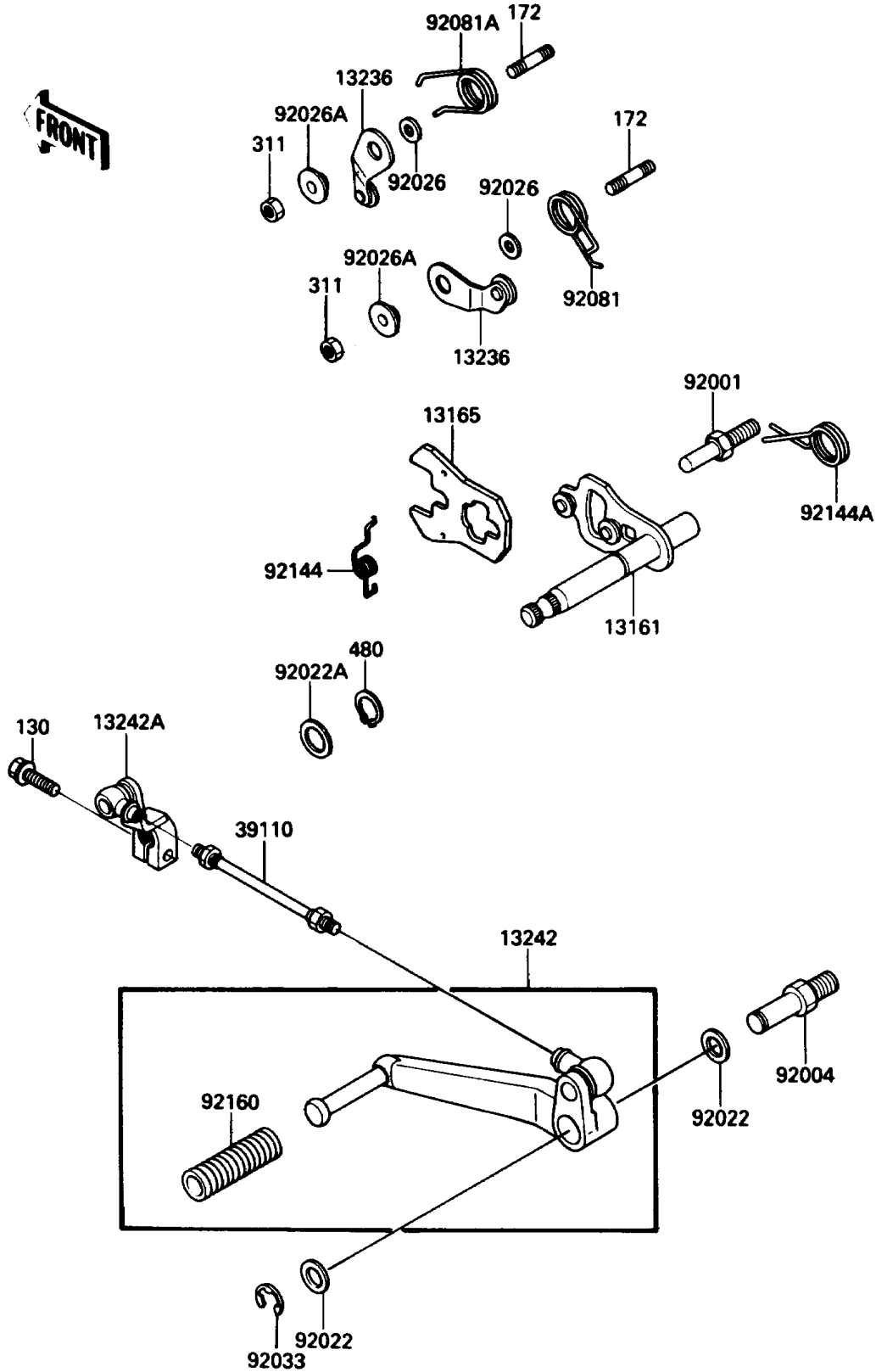


1989 Ninja® ZX™-10 PARTS DIAGRAM

Gear Change Mechanism

E1370-0192



1989 Ninja® ZX™-10 PARTS LIST

Gear Change Mechanism

ITEM NAME	PART NUMBER	QUANTITY
BOLT-FLANGED,6X20,BLACK (Ref # 130)	130S0620	1
BOLT-STUD,6X14 (Ref # 172)	172G0614	2
NUT-HEX,6MM (Ref # 311)	311G0600	2
CIRCLIP-TYPE-C,13MM (Ref # 480)	480J1300	1
LEVER-COMP-CHANGE SHAFT (Ref # 13161)	13161-1155	1
PAWL (Ref # 13165)	13165-1120	1
LEVER-COMP,GEAR POSITION (Ref # 13236)	13236-1103	2
LEVER-ASSY-CHANGE,PEDAL (Ref # 13242)	13242-1191	1
LEVER-ASSY-CHANGE,BOSS (Ref # 13242A)	13242-1242	1
ROD-ASSY-TIE,CHANGE LEVER (Ref # 39110)	39110-1015	1
BOLT,RETURN SPRING (Ref # 92001)	92001-1455	1
STUD,CHANGE PEDAL,PIVOT (Ref # 92004)	92004-1164	1
WASHER,12.5X22X1.2 (Ref # 92022)	92022-1593	2
WASHER,13.3X18X1 (Ref # 92022A)	92022-1772	1
SPACER,6.3X12X1.0 (Ref # 92026)	92026-094	2
SPACER (Ref # 92026A)	92026-1217	2
RING-SNAP,TYPE-E,10MM (Ref # 92033)	92033-1178	1
SPRING (Ref # 92081)	92081-1645	1
SPRING (Ref # 92081A)	92081-1742	1
SPRING (Ref # 92144)	92144-1029	1
SPRING,CHANGE PEDAL RETURN (Ref # 92144A)	92144-1345	1
DAMPER,CHANGE PEDAL (Ref # 92160)	92160-1036	1