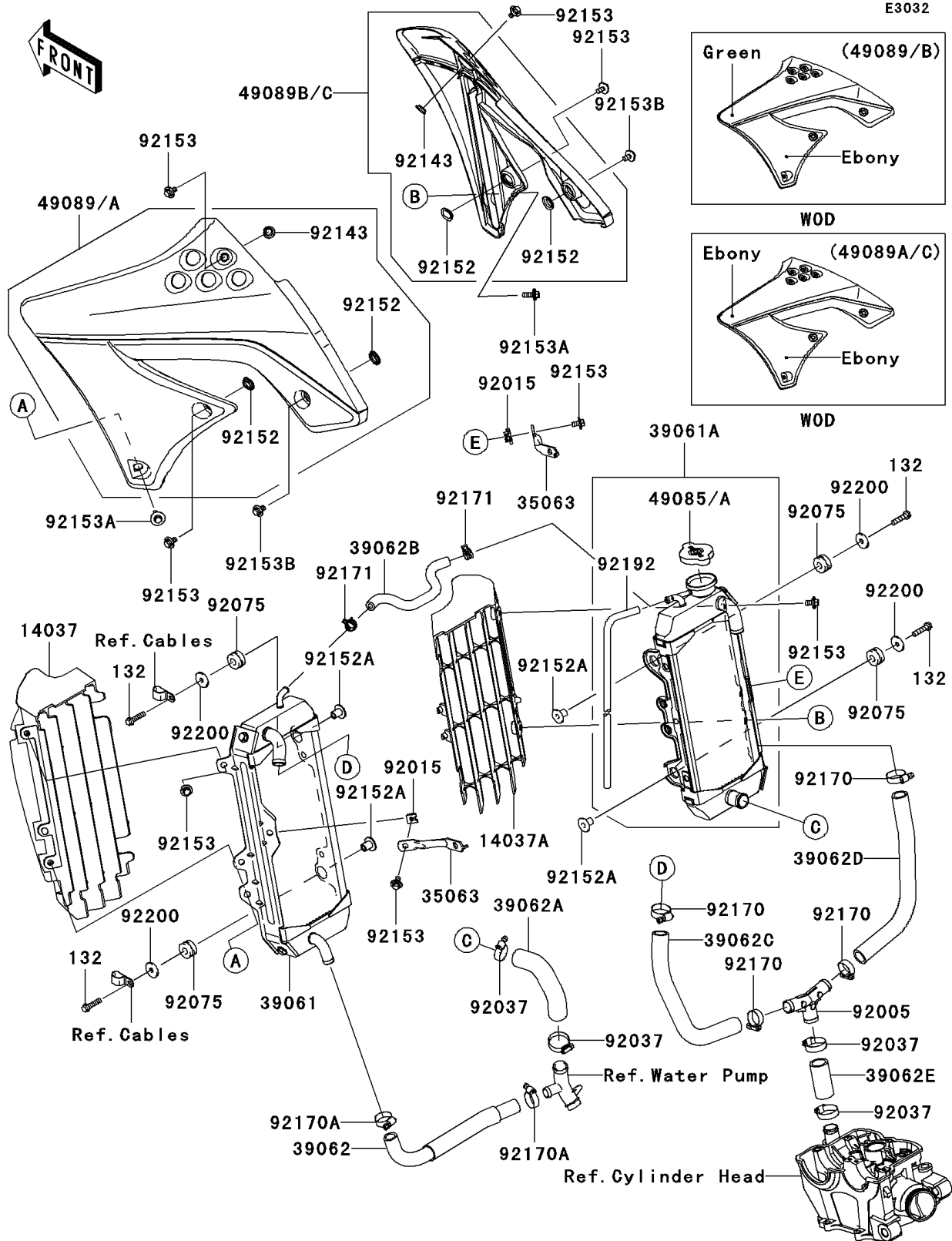
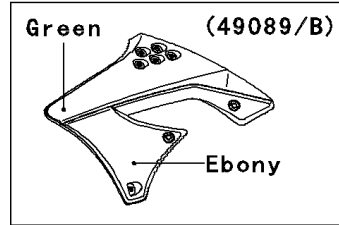


2009 KX™ 250F PARTS DIAGRAM

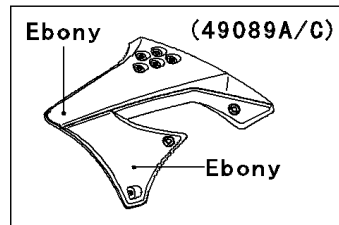
Radiator



E3032



WOD



WOD

2009 KX™ 250F PARTS LIST

Radiator

ITEM NAME	PART NUMBER	QUANTITY
BOLT-FLANGED-SMALL,6X25 (Ref # 132)	132BB0625	4
SCREEN,LH (Ref # 14037)	14037-0094-6C	1
SCREEN,RH (Ref # 14037A)	14037-0095-6C	1
STAY,RADIATOR (Ref # 35063)	35063-0633	2
RADIATOR-ASSY,LH (Ref # 39061)	39061-0162	1
RADIATOR-ASSY,RH (Ref # 39061A)	39061-0163	1
HOSE-COOLING,RAD LH-W/P (Ref # 39062)	39062-0129	1
HOSE-COOLING,RAD RH-W/P (Ref # 39062A)	39062-0153	1
HOSE-COOLING,RAD LH-RAD RH (Ref # 39062B)	39062-0258	1
HOSE-COOLING,RAD LH-FIT. (Ref # 39062C)	39062-0289	1
HOSE-COOLING,RAD RH-FIT. (Ref # 39062D)	39062-0290	1
HOSE-COOLING (Ref # 39062E)	39062-1348	1
CAP-ASSY-PRESSURE,P1.1 (Ref # 49085)	49085-1070	1
CAP-ASSY-PRESSURE,P1.6 (Ref # 49085A)	49085-1073	1
SHROUD-ENGINE,LH,UP EBO+LO EBO (Ref # 49089A)	49089-0060-27H	1
SHROUD-ENGINE,RH,UP EBO+LO EBO (Ref # 49089C)	49089-0061-27H	1
FITTING (Ref # 92005)	92005-0101	1
NUT (Ref # 92015)	92015-1487	2
CLAMP,COOLING HOSE (Ref # 92037)	92037-1589	4
DAMPER (Ref # 92075)	92075-209	4
COLLAR (Ref # 92143)	92143-1196	2
COLLAR (Ref # 92152)	92152-0052	4
COLLAR,6.3X9.5(20)X14.2 (Ref # 92152A)	92152-0379	4
BOLT,6X12 (Ref # 92153)	92153-0503	8
BOLT,6X20 (Ref # 92153A)	92153-0864	2
BOLT,FLANGED,6X16 (Ref # 92153B)	92153-1059	2
CLAMP,HOSE,26MM (Ref # 92170)	92170-1077	4
CLAMP (Ref # 92170A)	92170-1283	2
CLAMP,CLIP,12.5MM (Ref # 92171)	92171-0372	2

2009 KX™ 250F PARTS LIST

Radiator

ITEM NAME	PART NUMBER	QUANTITY
TUBE,6X9X640 (Ref # 92192)	92192-0167	1
WASHER,6.5X22X2.3 (Ref # 92200)	92200-0271	4