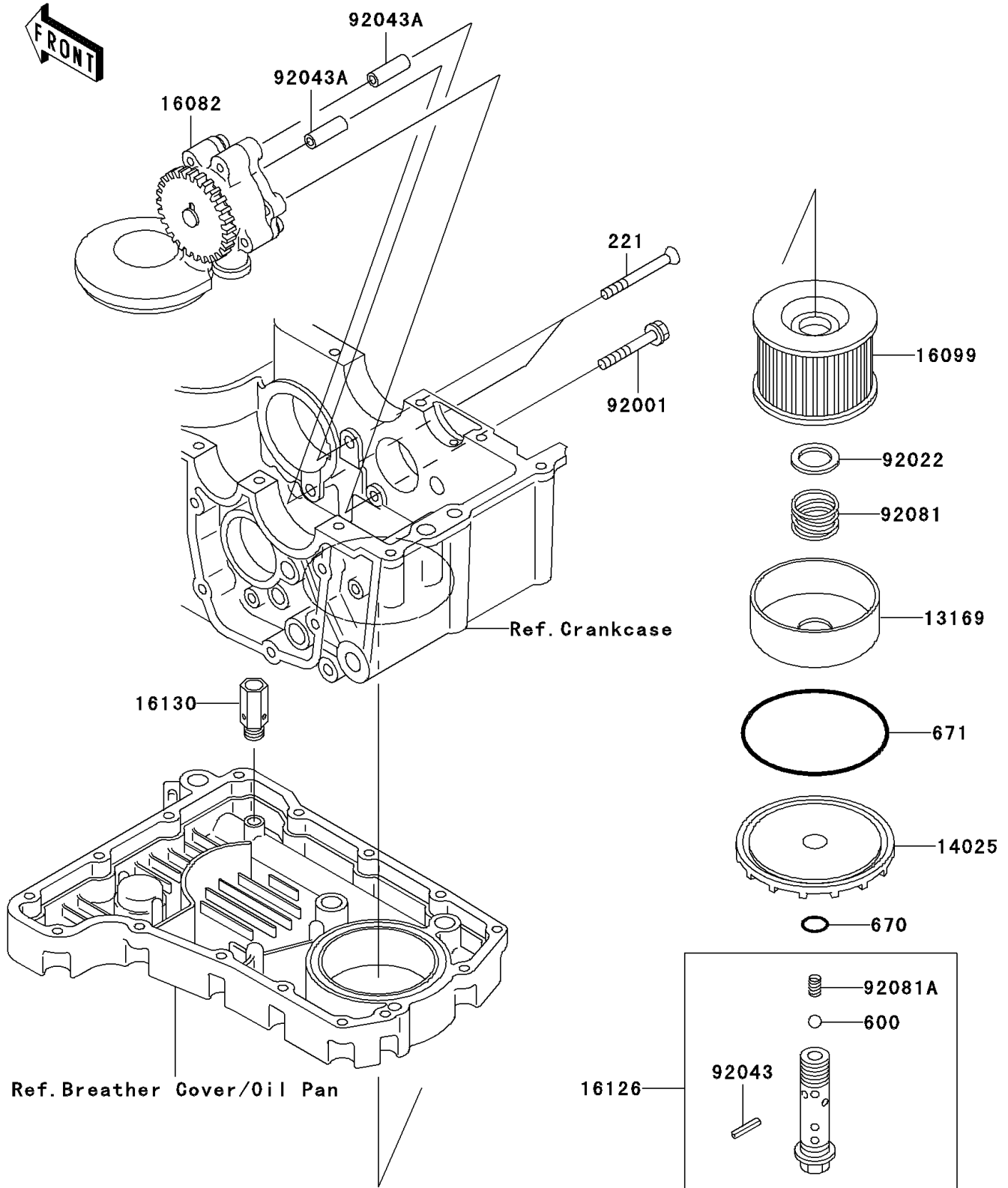


# 2003 ZR-7S PARTS DIAGRAM

Oil Pump/Oil Filter

E1710



## 2003 ZR-7S PARTS LIST

### Oil Pump/Oil Filter

ITEM NAME	PART NUMBER	QUANTITY
SCREW-CSK-CROS,6X55 (Ref # 221)	221B0655	2
BALL-STEEL,3/8" (Ref # 600)	600A1200	1
O RING,16MM (Ref # 670)	670B2016	1
O RING,90MM (Ref # 671)	671B2590	1
PLATE,OIL FILTER (Ref # 13169)	13169-1110	1
COVER,OIL FILTER,F.BLACK (Ref # 14025)	14025-1422	1
PUMP-ASSY-OIL (Ref # 16082)	16082-1158	1
ELEMENT-OIL FILTER (Ref # 16099)	16099-003	1
VALVE,OIL FILTER (Ref # 16126)	16126-1108	1
VALVE-ASSY-RELIEF (Ref # 16130)	16130-1058	1
BOLT,FLANGED,6X45 (Ref # 92001)	92001-165	1
WASHER,20.5X30X1 (Ref # 92022)	92022-1012	1
PIN,SPRING,2X20 (Ref # 92043)	92043-111	1
PIN (Ref # 92043A)	92043-1603	2
SPRING,OIL FILTER (Ref # 92081)	92081-1018	1
SPRING (Ref # 92081A)	92081-109	1