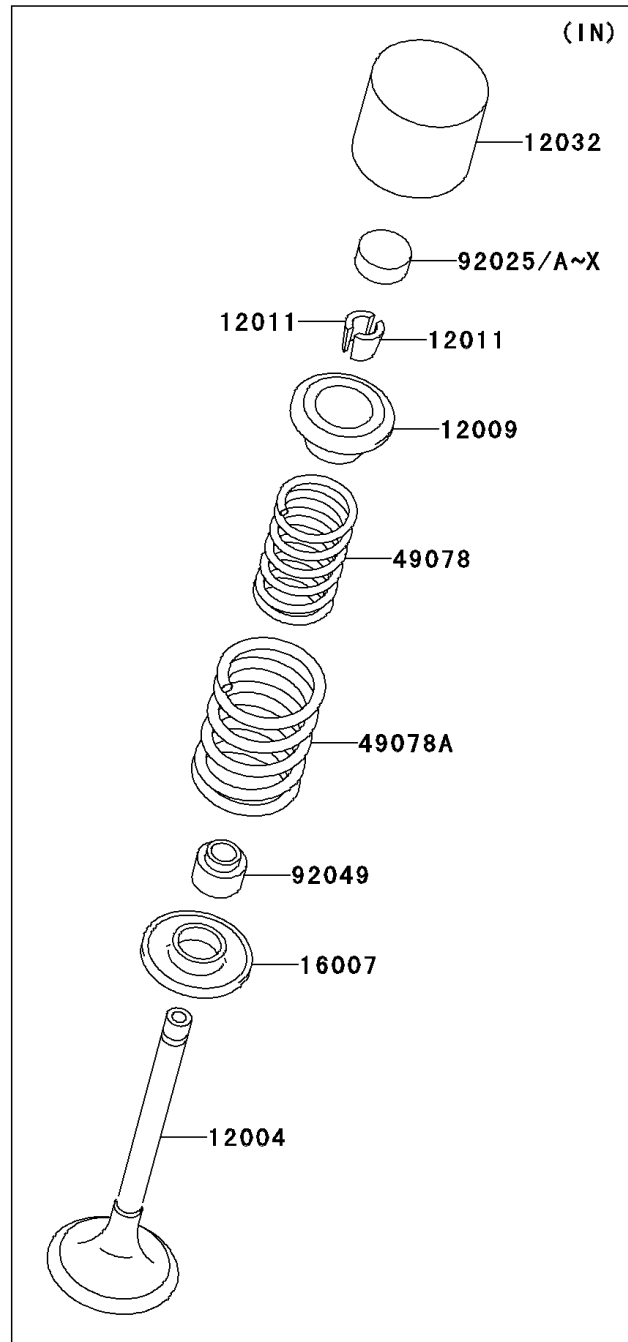
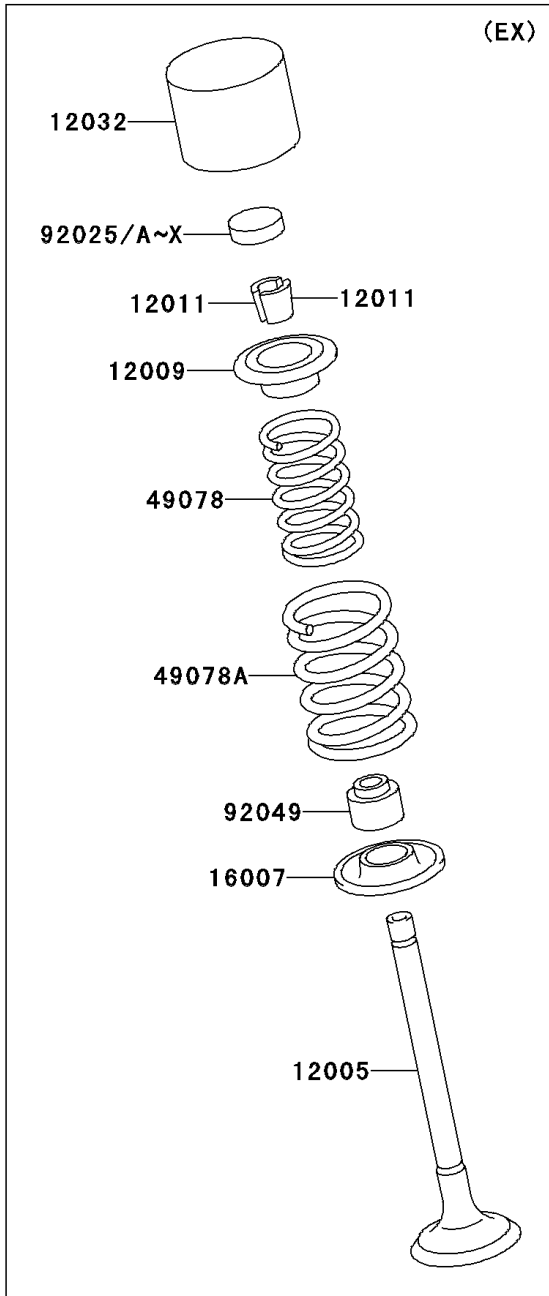


2003 ZR-7S PARTS DIAGRAM

Valve(s)

E1210



2003 ZR-7S PARTS LIST

Valve(s)

ITEM NAME	PART NUMBER	QUANTITY
VALVE-INTAKE (Ref # 12004)	12004-1140	4
VALVE-EXHAUST (Ref # 12005)	12005-0023	4
RETAINER-VALVE SPRING (Ref # 12009)	12009-008	8
COLLET,RETAINER (Ref # 12011)	12011-004	16
TAPPET (Ref # 12032)	12032-1066	8
SEAT-SPRING,VALVE (Ref # 16007)	16007-1024	8
SPRING-ENGINE VALVE,INNER (Ref # 49078)	49078-1200	8
SPRING-ENGINE VALVE,OUTER (Ref # 49078A)	49078-1201	8
SHIM,T=2.00 (Ref # 92025)	92025-1090	8
SHIM,T=2.05 (Ref # 92025A)	92025-1091	AR
SHIM,T=2.10 (Ref # 92025B)	92025-1092	AR
SHIM,T=2.15 (Ref # 92025C)	92025-1093	AR
SHIM,T=2.20 (Ref # 92025D)	92025-1094	AR
SHIM,T=2.25 (Ref # 92025E)	92025-1095	AR
SHIM,T=2.30 (Ref # 92025F)	92025-1096	AR
SHIM,T=2.35 (Ref # 92025G)	92025-1097	AR
SHIM,T=2.40 (Ref # 92025H)	92025-1098	AR
SHIM,T=2.45 (Ref # 92025I)	92025-1099	AR
SHIM,T=2.50 (Ref # 92025J)	92025-1100	AR
SHIM,T=2.55 (Ref # 92025K)	92025-1101	AR
SHIM,T=2.60 (Ref # 92025L)	92025-1102	AR
SHIM,T=2.65 (Ref # 92025M)	92025-1103	AR
SHIM,T=2.70 (Ref # 92025N)	92025-1104	AR
SHIM,T=2.75 (Ref # 92025O)	92025-1105	AR
SHIM,T=2.80 (Ref # 92025P)	92025-1106	AR
SHIM,T=2.85 (Ref # 92025Q)	92025-1107	AR
SHIM,T=2.90 (Ref # 92025R)	92025-1108	AR
SHIM,T=2.95 (Ref # 92025S)	92025-1109	AR
SHIM,T=3.00 (Ref # 92025T)	92025-1110	AR

2003 ZR-7S PARTS LIST

Valve(s)

ITEM NAME	PART NUMBER	QUANTITY
SHIM,T=3.05 (Ref # 92025U)	92025-1111	AR
SHIM,T=3.10 (Ref # 92025V)	92025-1112	AR
SHIM,T=3.15 (Ref # 92025W)	92025-1113	AR
SHIM,T=3.20 (Ref # 92025X)	92025-1114	AR
SEAL-OIL,RV37129.5 (Ref # 92049)	92049-016	8