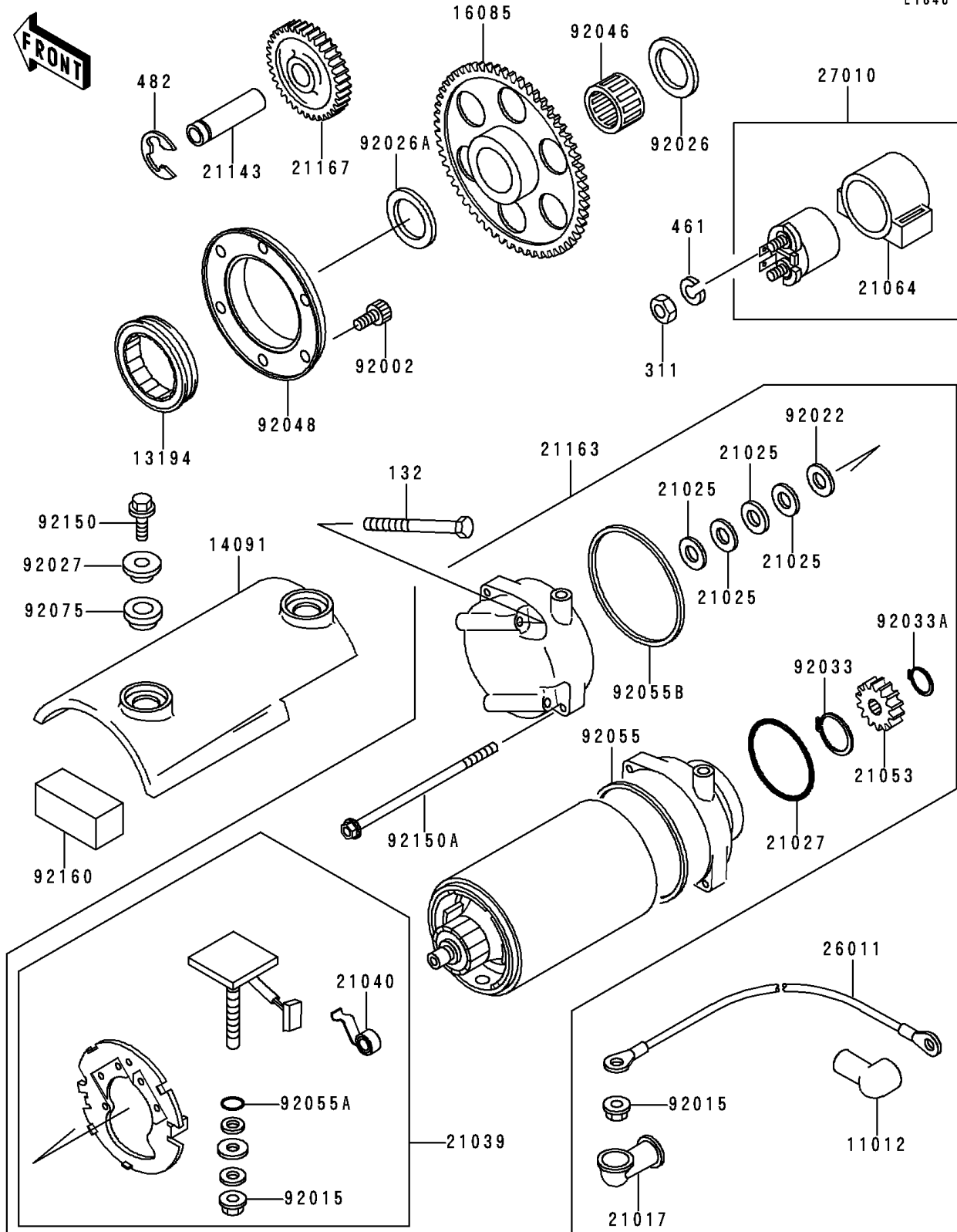


2000 ZR-7 PARTS DIAGRAM

Starter Motor

E1840



2000 ZR-7 PARTS LIST

Starter Motor

ITEM NAME	PART NUMBER	QUANTITY
BOLT-FLANGED-SMALL (Ref # 132)	132G0660	1
NUT-HEX,6MM (Ref # 311)	311B0600	1
WASHER-SPRING,6MM (Ref # 461)	461F0600	1
CIRCLIP-TYPE-E,12MM (Ref # 482)	482J0200	1
CAP,TERMINAL (Ref # 11012)	11012-1354	1
CLUTCH-ONEWAY (Ref # 13194)	13194-1086	1
COVER,STERTERMOTOR (Ref # 14091)	14091-1104	1
GEAR,STARTER,58T (Ref # 16085)	16085-1300	1
GROMMET,STARTER TERMINAL (Ref # 21017)	21017-017	1
WASHER,9.1X18X0.2 (Ref # 21025)	21025-011	1
RING-O,40MM (Ref # 21027)	21027-008	1
BRUSH,CARBON (Ref # 21039)	21039-1062	1
SPRING-BRUSH (Ref # 21040)	21040-1057	1
SPROCKET-ASSY,STARTER (Ref # 21053)	21053-004	1
DAMPER,MAGNETIC SWITCH (Ref # 21064)	21064-002	1
SHAFT,IDLE GEAR (Ref # 21143)	21143-003	1
STARTER-ELECTRIC (Ref # 21163)	21163-1222	1
GEAR-SPUR,IDLE,29T (Ref # 21167)	21167-004	1
WIRE-LEAD,STARTER MOTOR (Ref # 26011)	26011-1135	1
SWITCH,MAGNETIC (Ref # 27010)	27010-1410	1
BOLT,SOCKET,6X12 (Ref # 92002)	92002-1796	1
NUT,STARTER MOTOR (Ref # 92015)	92015-1476	1
WASHER,9.1X18X0.8 (Ref # 92022)	92022-1132	1
SPACER,25X36X3.2 (Ref # 92026)	92026-1025	1
SPACER,25.3X36X2.0 (Ref # 92026A)	92026-1533	1
COLLAR,L=7.4 (Ref # 92027)	92027-1848	1
RING-SNAP,17MM (Ref # 92033)	92033-034	1
RING-SNAP,13MM (Ref # 92033A)	92033-037	1
BEARING-NEEDLE,K253017 (Ref # 92046)	92046-056	1

2000 ZR-7 PARTS LIST

Starter Motor

ITEM NAME	PART NUMBER	QUANTITY
RACE,ONEWAY CLUTCH (Ref # 92048)	92048-1068	1
RING-O,64MM (Ref # 92055)	92055-1086	1
RING-O,4.5X2.0 (Ref # 92055A)	92055-1370	1
RING-O,STARTER MOTOR (Ref # 92055B)	92055-1381	1
DAMPER (Ref # 92075)	92075-1244	1
BOLT,FLANGED,6X16 (Ref # 92150)	92150-1506	1
BOLT,FLANGED,6X120 (Ref # 92150A)	92150-1729	1
DAMPER (Ref # 92160)	92160-1272	1