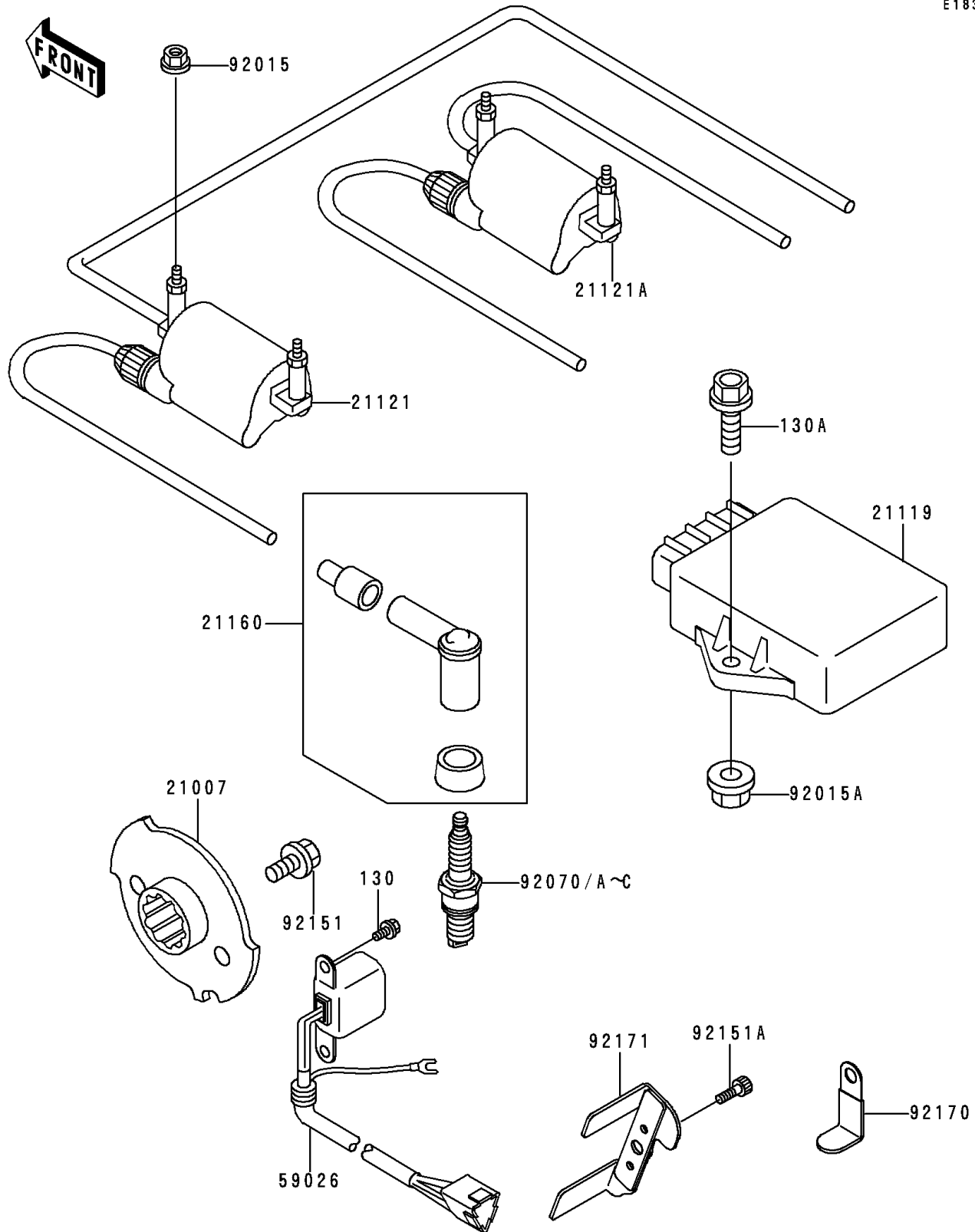


2000 ZR-7 PARTS DIAGRAM

Ignition System

E1830



2000 ZR-7 PARTS LIST

Ignition System

ITEM NAME	PART NUMBER	QUANTITY
BOLT-FLANGED (Ref # 130)	130G0512	1
BOLT-FLANGED (Ref # 130A)	130J0620	1
ROTOR (Ref # 21007)	21007-1353	1
IGNITER (Ref # 21119)	21119-1541	1
COIL-IGNITION,#1 (Ref # 21121)	21121-1177	1
COIL-IGNITION,#2 (Ref # 21121A)	21121-1178	1
CAP-ASSY-PLUG (Ref # 21160)	21160-1085	1
COIL-PULSING (Ref # 59026)	59026-1152	1
NUT,FLANGED,6MM (Ref # 92015)	92015-1193	1
NUT (Ref # 92015A)	92015-1700	1
PLUG-SPARK,X24ESR-U(ND) (Ref # 92070)		2
PLUG-SPARK,DR9EA(NGK) (Ref # 92070B)	92070-1189	1
PLUG-SPARK,DR8EA(NGK) (Ref # 92070C)	92070-1199	1
BOLT,8X23 (Ref # 92151)	92151-1308	1
BOLT,SOCKET,5X12 (Ref # 92151A)	92151-1365	1
CLAMP (Ref # 92170)	92170-1728	1
CLAMP (Ref # 92171)	92171-1150	1