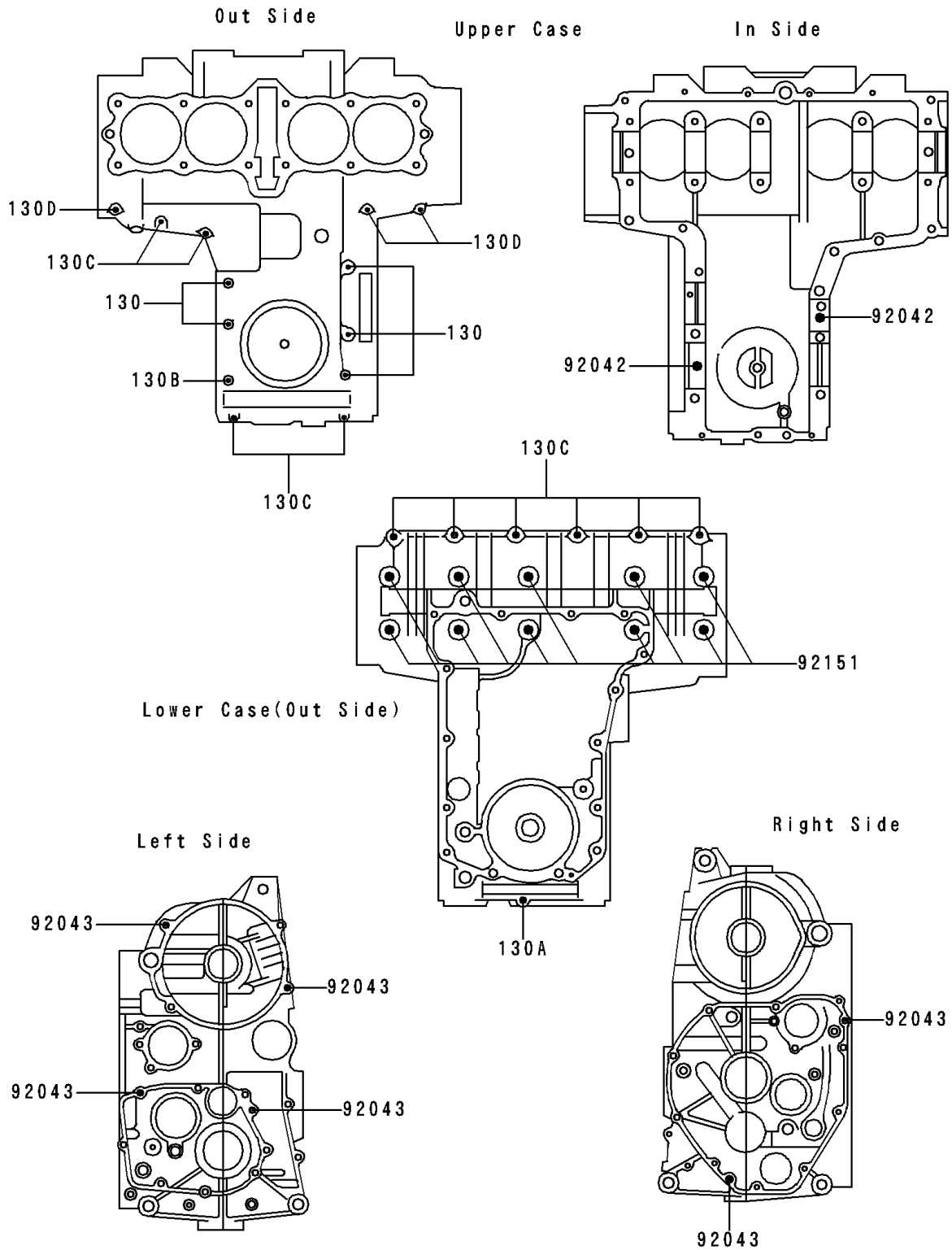


## 2000 ZR-7 PARTS DIAGRAM

Crankcase Bolt Pattern

E1412



## 2000 ZR-7 PARTS LIST

Crankcase Bolt Pattern

ITEM NAME	PART NUMBER	QUANTITY
BOLT-FLANGED (Ref # 130)	130Y06100	1
BOLT-FLANGED (Ref # 130A)	130Y06105	1
BOLT-FLANGED (Ref # 130B)	130Y06115	1
BOLT-FLANGED (Ref # 130C)	130Y0640	1
BOLT-FLANGED (Ref # 130D)	130Y0650	1
PIN,DOWEL,6X16 (Ref # 92042)	92042-016	1
PIN,6.2X8X14 (Ref # 92043)	92043-1263	1
BOLT,8X95 (Ref # 92151)	92151-1486	1